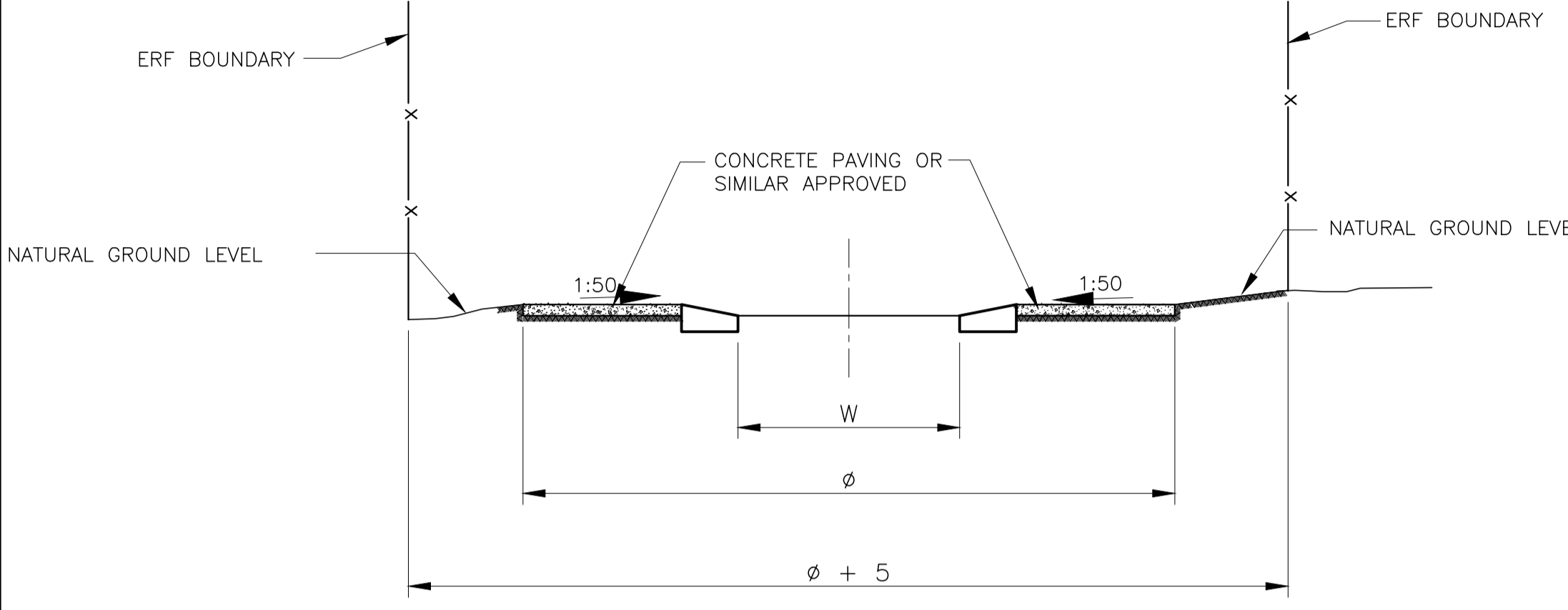
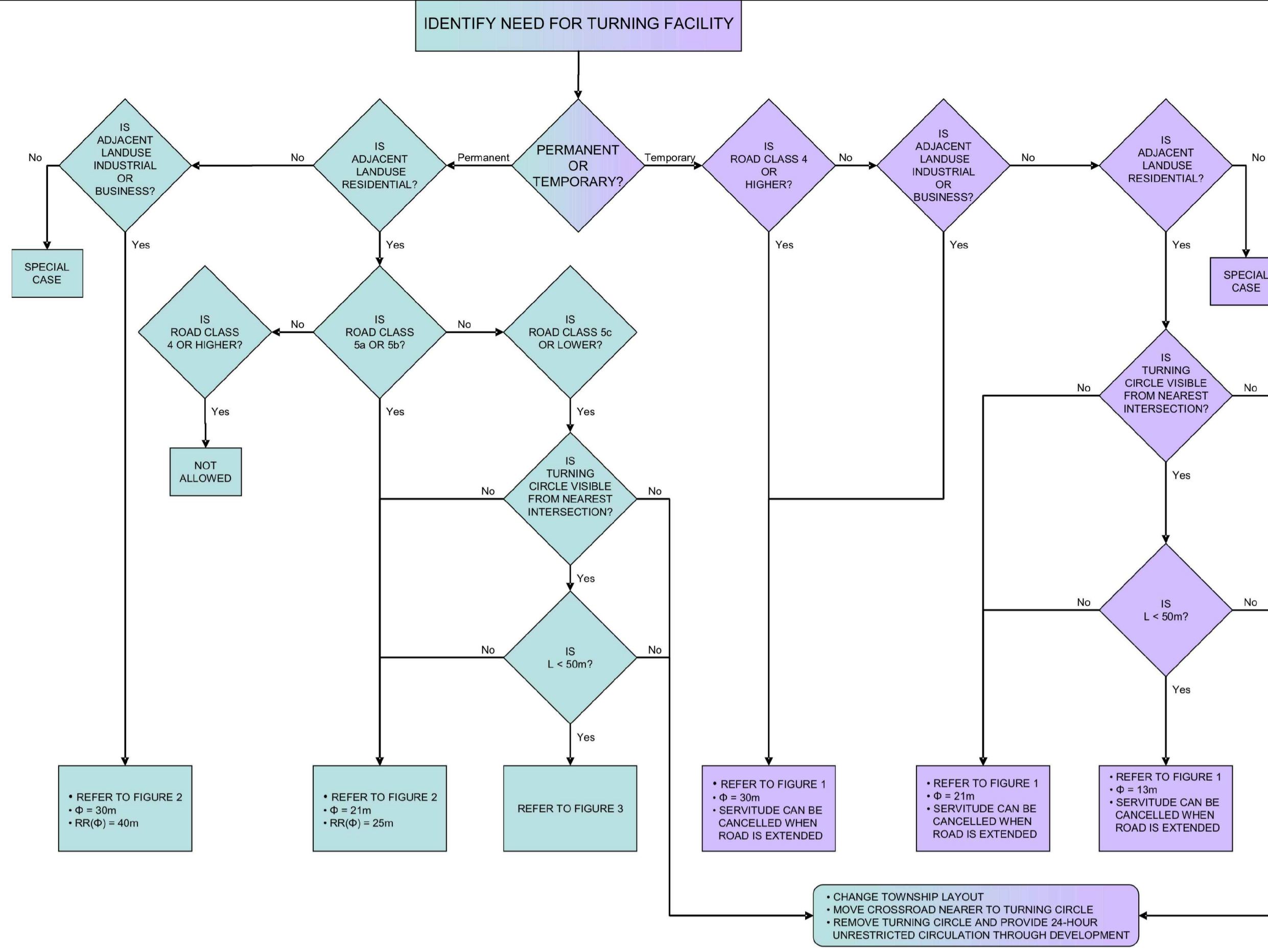
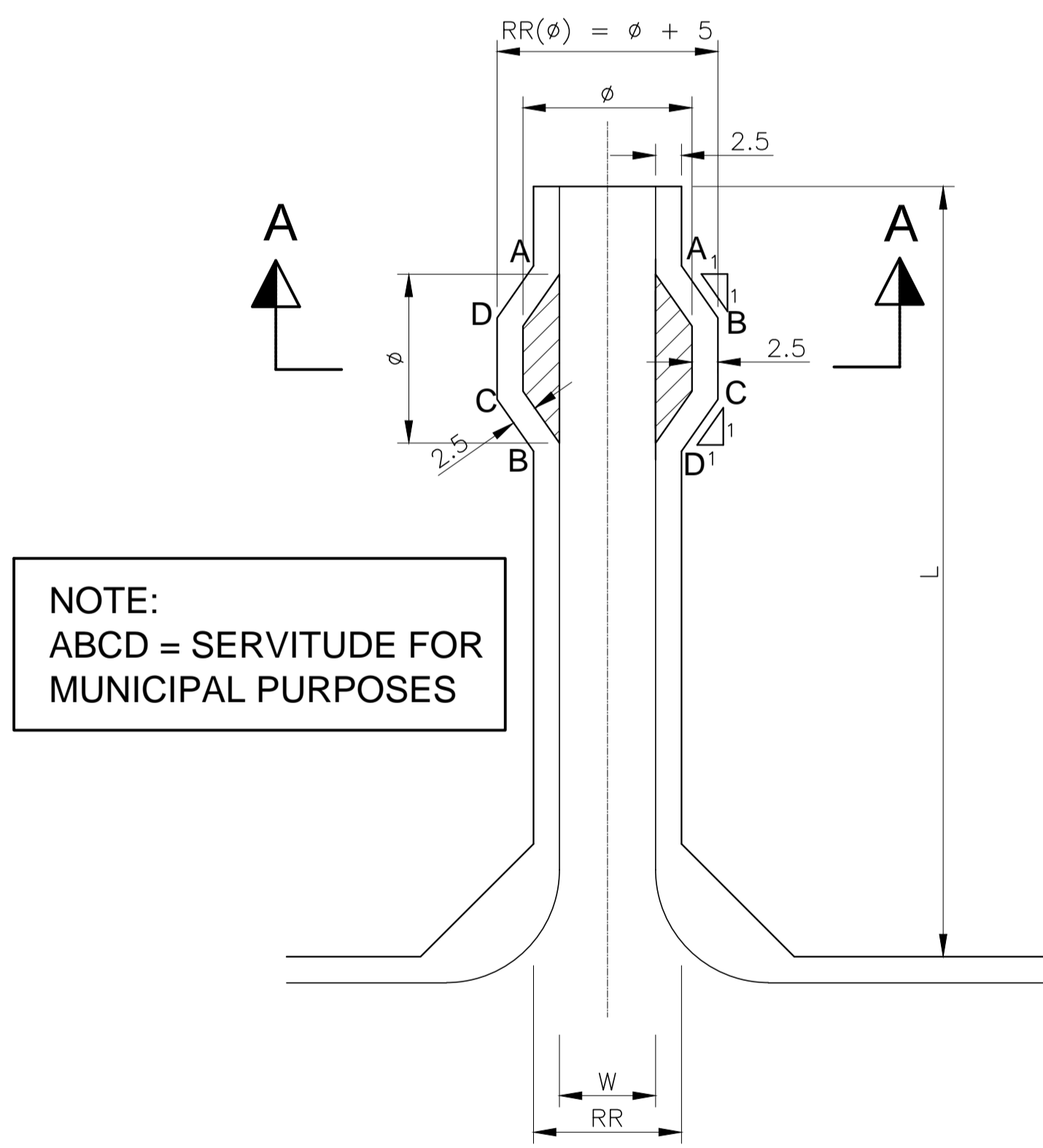


- SPECIAL CASES OR PROPOSED CHANGES TO THESE SPECIFICATIONS MUST BE DISCUSSED WITH AND APPROVED BY THE DEPUTY MANAGER: ROADS PLANNING.
- CONSTRUCTION SPECIFICATIONS MUST BE ACCORDING TO THE RELEVANT STANDARD DETAIL DRAWINGS AND STANDARD SPECIFICATIONS FOR MUNICIPAL CIVIL ENGINEERING WORKS, 3rd EDITION, 2005.

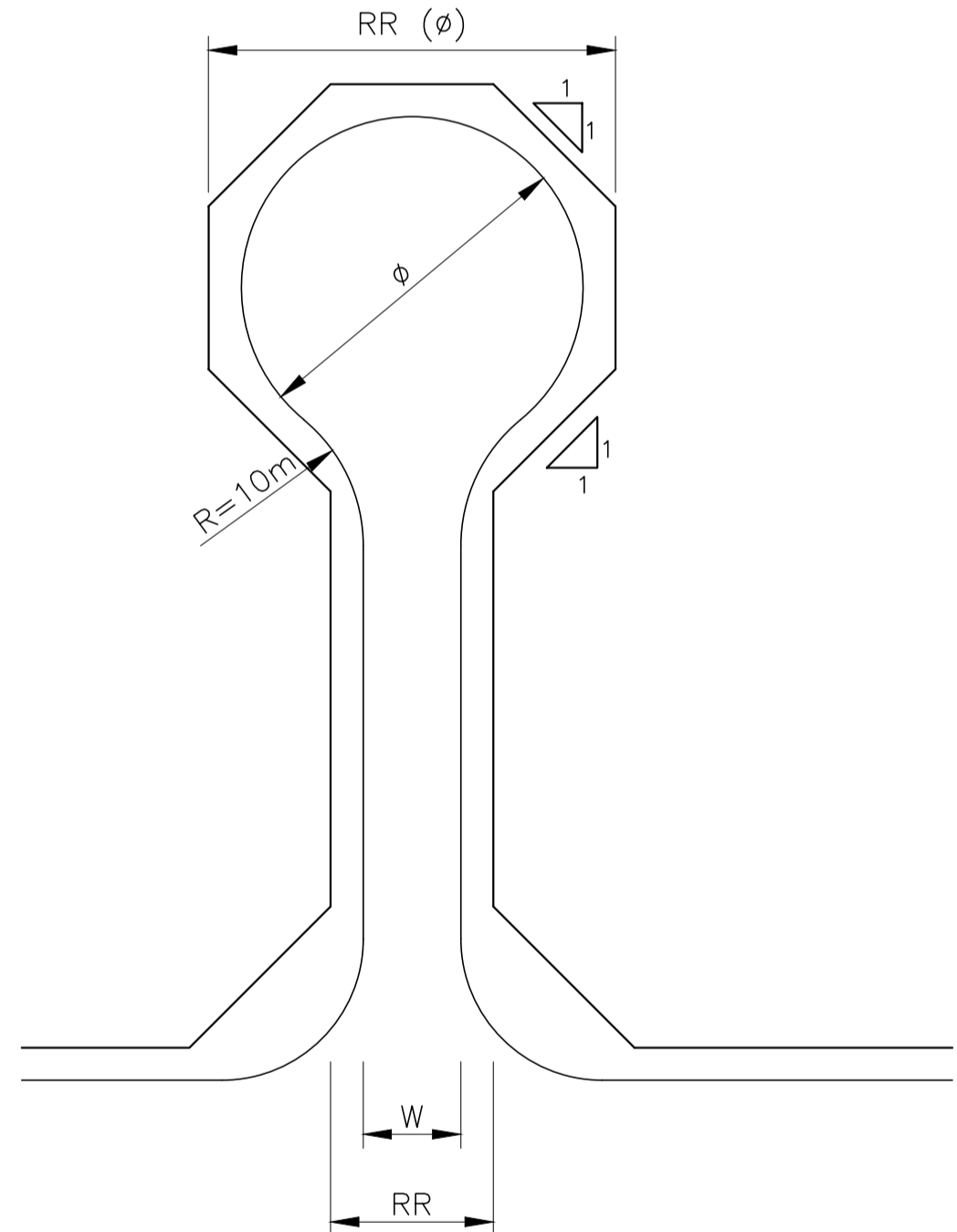


SECTION A-A



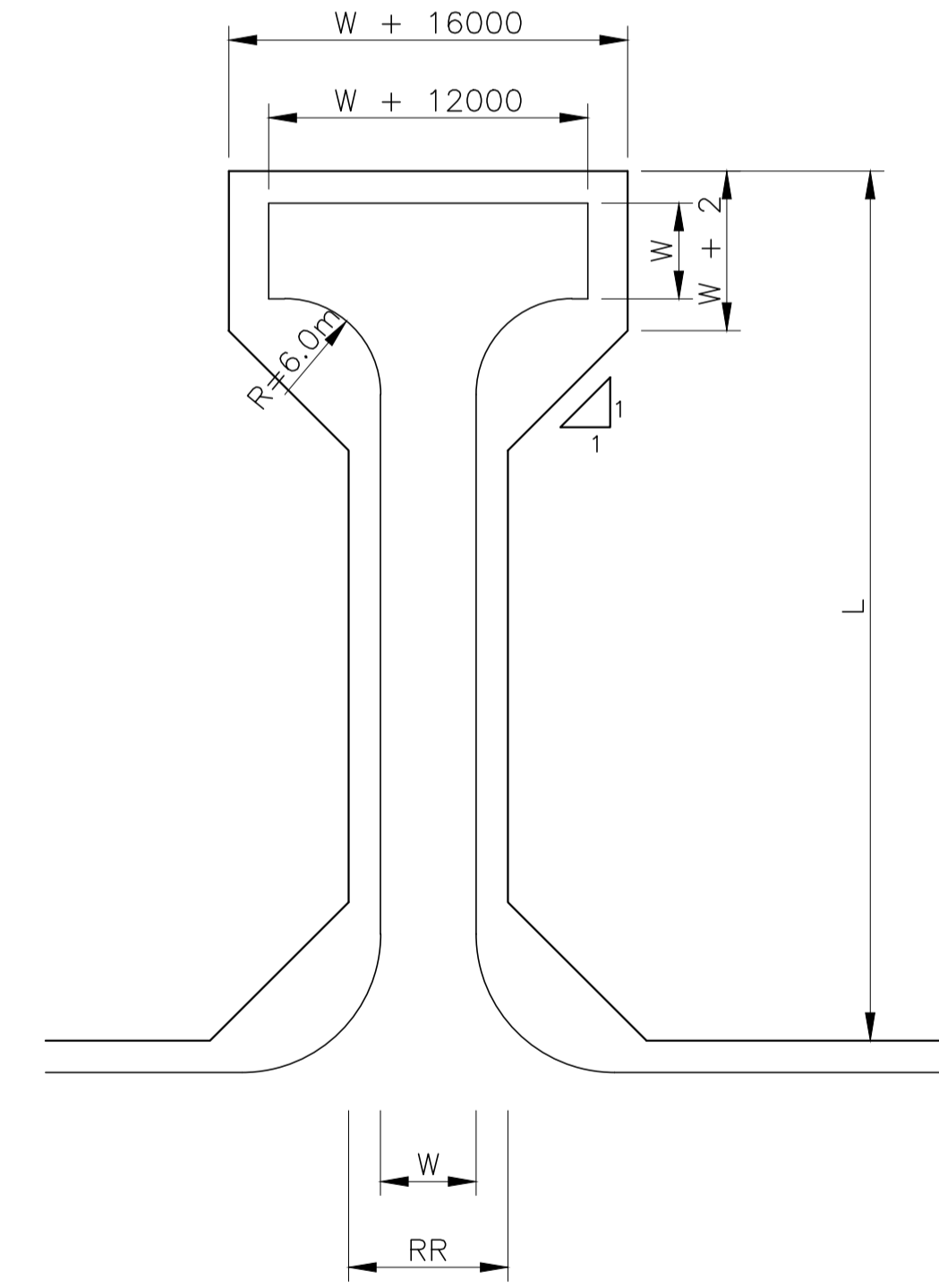
PLAN OF TEMPORARY TURNING CIRCLE

FIGURE 1
SCALE 1:50



PERMANENT TURNING CIRCLE

FIGURE 2
SCALE 1:50



PLAN OF PERMANENT TURNING HEAD

FIGURE 3
SCALE 1:50

AMENDMENTS				
NR.	DATE	APPROVED	DESCRIPTION	PAR.

DESIGNED J. DU PREEZ	DRAWN S. AUDIE
DESIGN CHECKED BY L.G. JOHANNES Pr. Eng.	INFRASTRUCTURE TECHNICAL INFORMATION MANAGEMENT D.J. CHALMERS

PROJECT STATUS			
<input type="radio"/> CONCEPT DRAWING	<input type="radio"/> TENDER DRAWING	<input type="radio"/> APPROVED FOR CONSTRUCTION DRAWING	<input type="radio"/> AS BUILT DRAWING

PROJECT ENGINEER (CONSULTANT)	INITIALS AND SURNAME	SIGNATURE AND Pr. No.	DATE
INSPECTOR OF WORKS (CITY OF TSHWANE)	INITIALS AND SURNAME	SIGNATURE AND Pr. No.	DATE

CONSULTANT DETAIL

CITY OF TSHWANE
ROADS AND TRANSPORT DEPARTMENT
 Mr P. I. Letonkane
 STRATEGIC EXECUTIVE DIRECTOR
 P.O. BOX 1409
 PRETORIA 0001

Ms. L. V. Kagakwe-Piki
 EXECUTIVE DIRECTOR
 P.O. BOX 1409
 PRETORIA 0001

TYPICAL STANDARD DETAILS

**TURNING FACILITIES:
DESIGN FLOW CHART AND DETAILS**

ROADS AND STORMWATER For Internal Approval	
DIRECTOR: INFRASTRUCTURE PROVISION	SIGNATURE _____ DATE _____
DIRECTOR: INFRASTRUCTURE CONSTRUCTION (PROJECT) MANAGEMENT	SIGNATURE _____ DATE _____
DIRECTOR: INFRASTRUCTURE ASSET MANAGEMENT	SIGNATURE _____ DATE _____
DIRECTOR: TRANSPORT INFRASTRUCTURE PLANNING	SIGNATURE _____ DATE _____
DIRECTOR: INTELLIGENT TRANSPORT SYSTEM AND TRAFFIC ENGINEERING	SIGNATURE _____ DATE _____
DIRECTOR: INFRASTRUCTURE MAINTENANCE MANAGEMENT (B&M)	SIGNATURE _____ DATE _____

CONTRACT NO.:	PROJECT NO.:
DATE: MAY 2013	SCALE: AS SHOWN
DRAWING NO. PLN002	SHEET NO. 1 OF 1
ORIGINAL PAPER SIZE: A1	REVISION:

