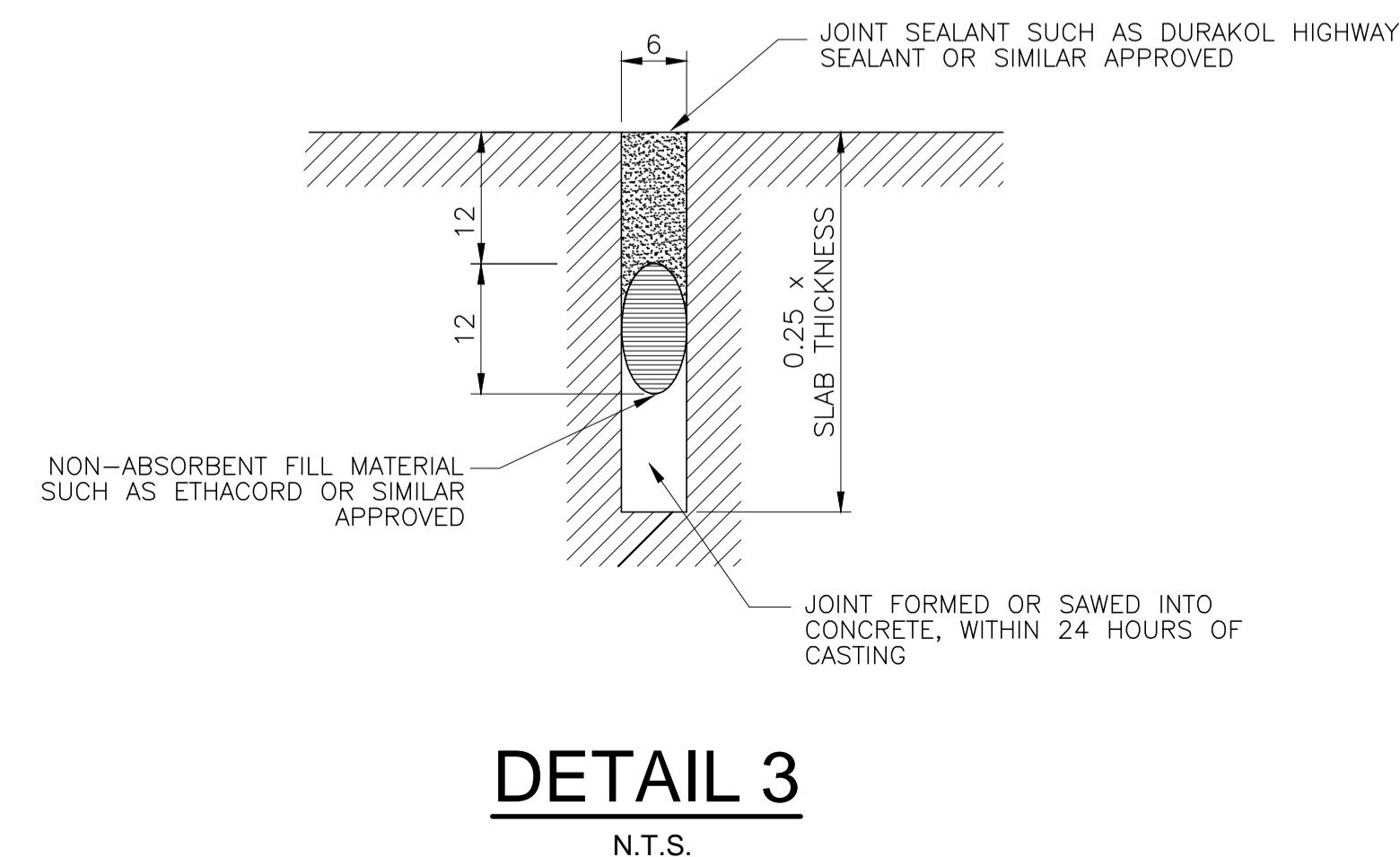
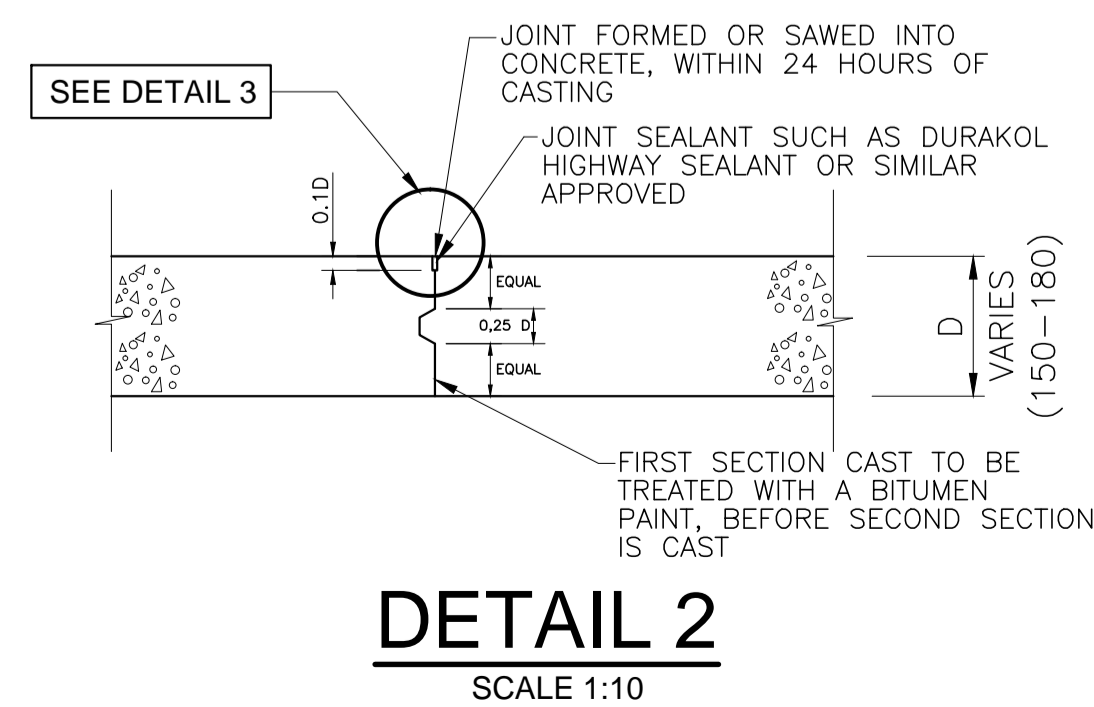
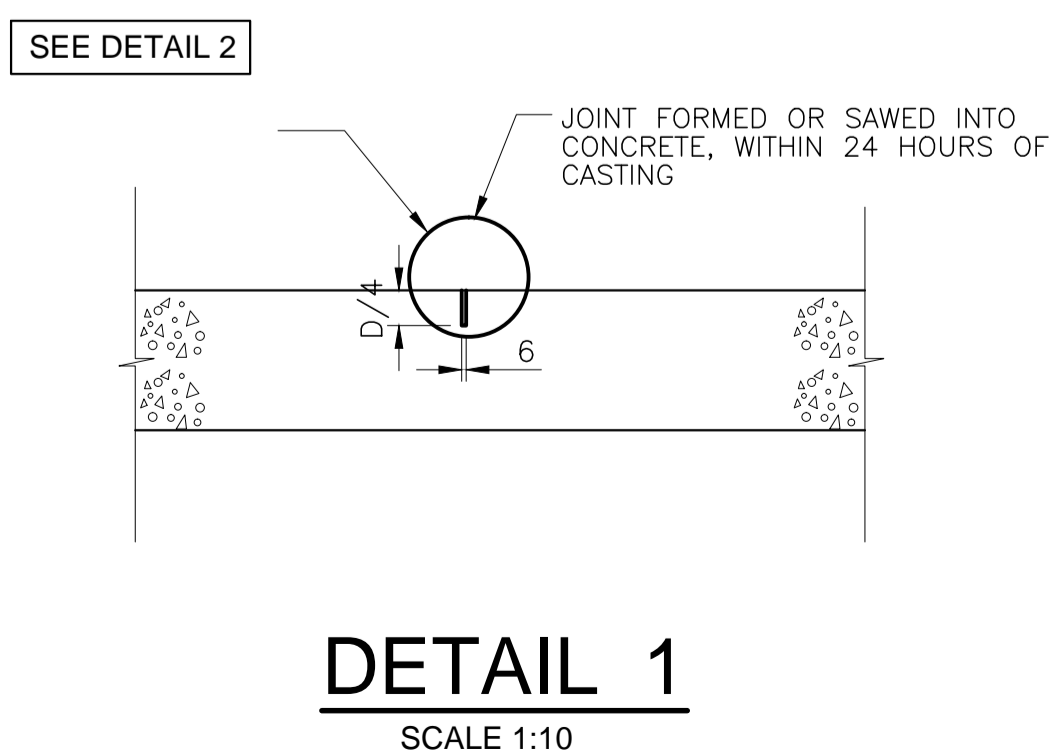
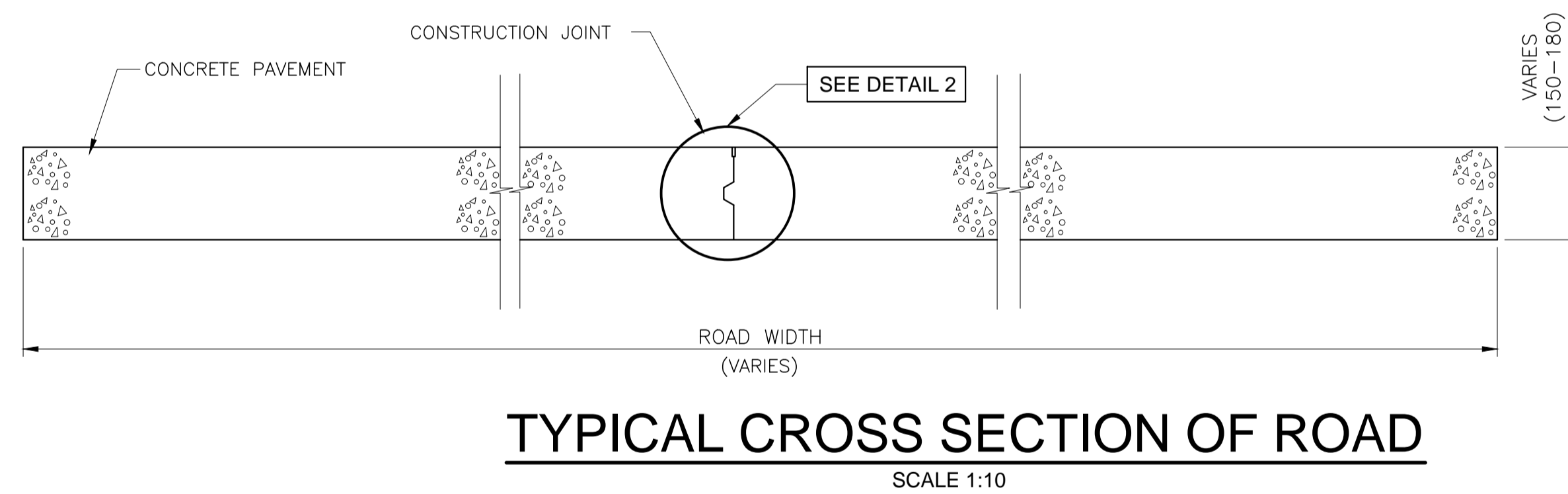
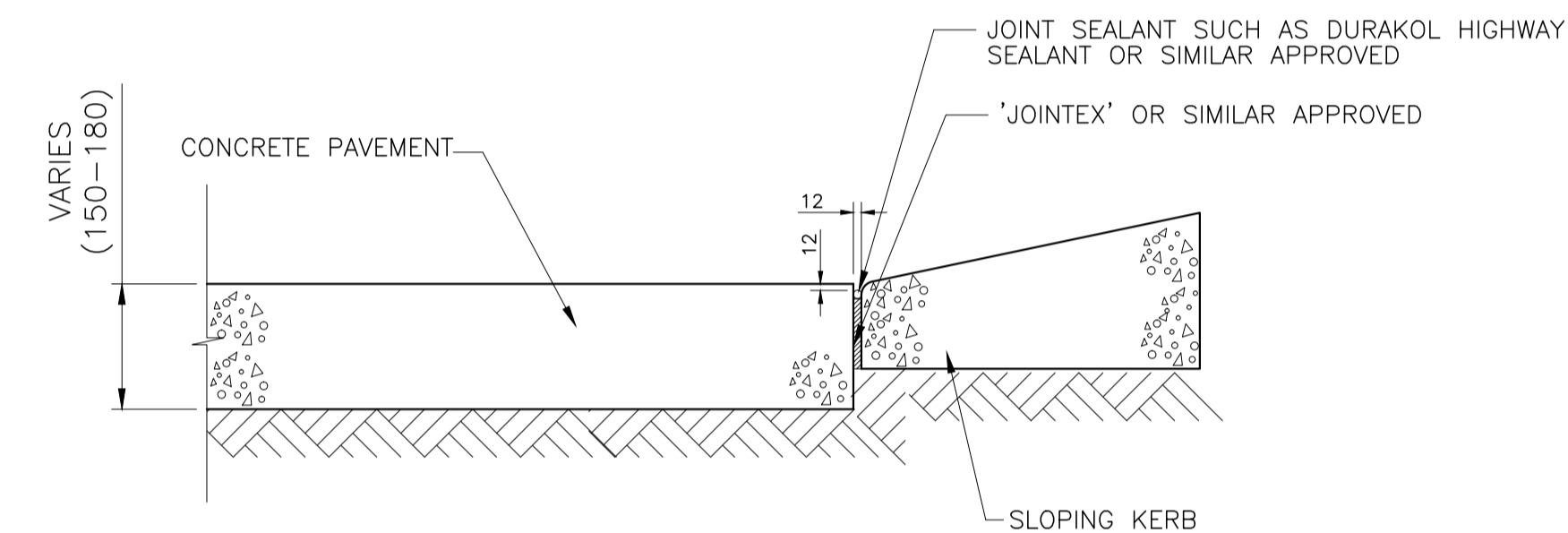
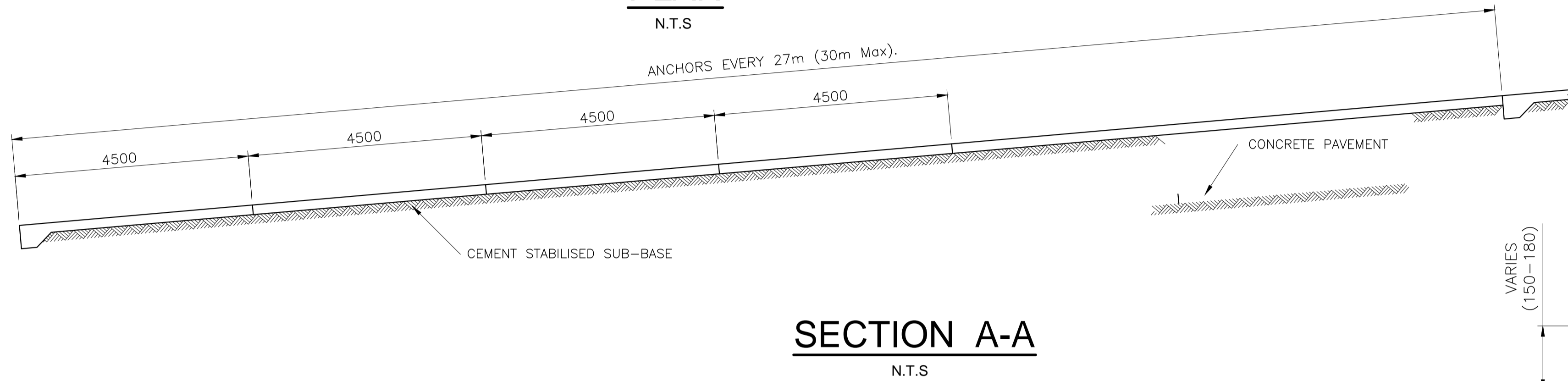
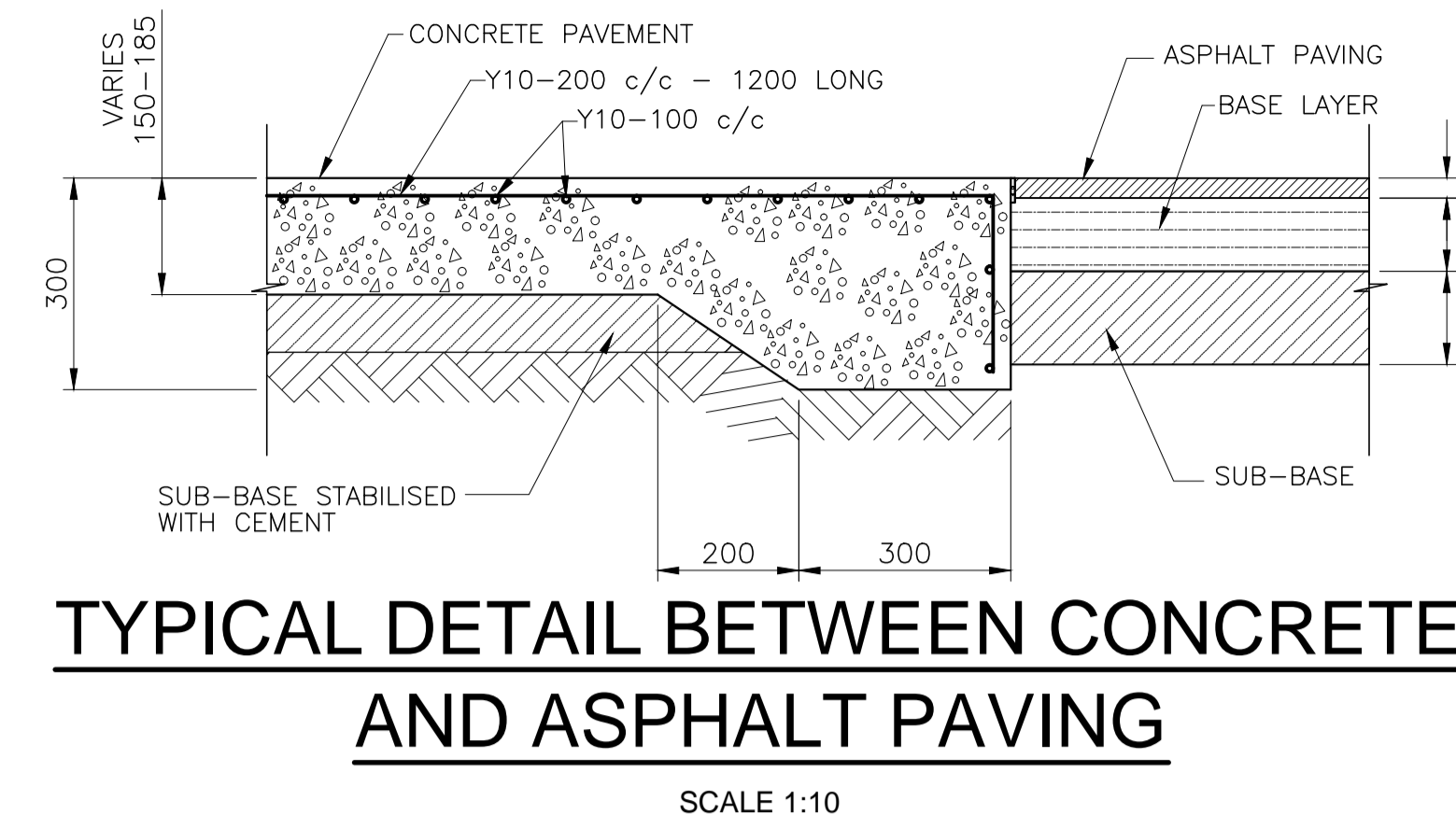
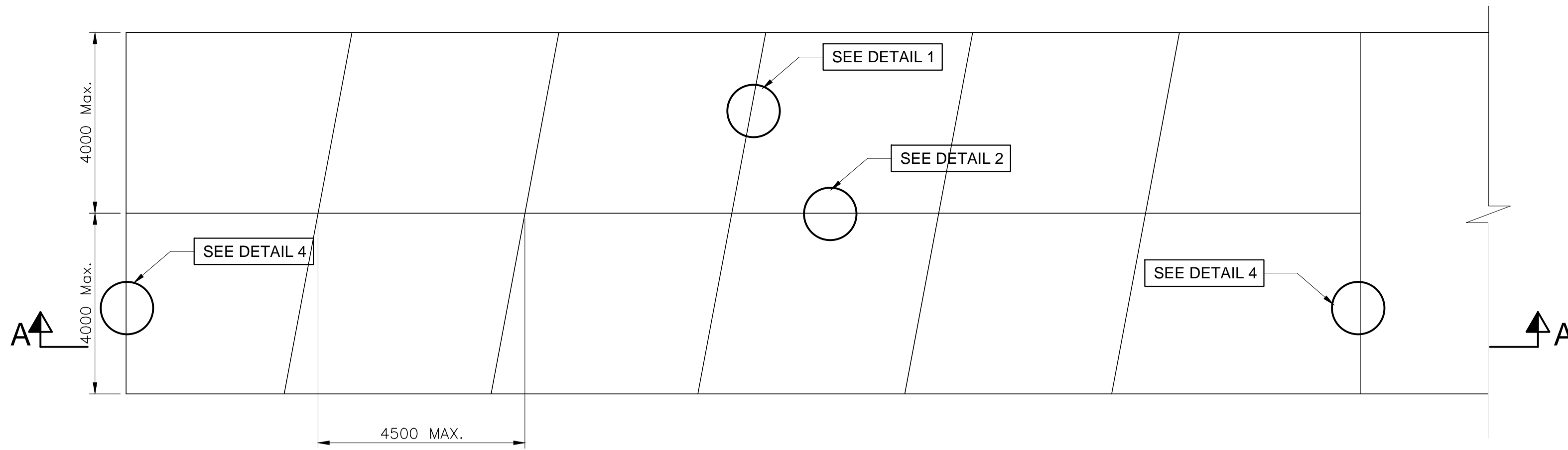


- ALL CONCRETE TO BE CLASS 30/19
- ALL CONSTRUCTION JOINTS TO BE ACCORDING TO DETAIL 2
- ALWAYS START CONSTRUCTION AT THE LOWEST POINT AND CONTINUE UPWARDS WITH THE GRADIENT
- ALSO REFER TO SECTION 610 OF THE STANDARD SPECIFICATIONS FOR MUNICIPAL CIVIL ENGINEERING WORKS, 3rd EDITION, 2005.



ROADS AND STORMWATER For Internal Approval	
DIRECTOR: INFRASTRUCTURE PROVISION	SIGNATURE _____ DATE _____
DIRECTOR: INFRASTRUCTURE CONSTRUCTION (PROJECT) MANAGEMENT	SIGNATURE _____ DATE _____
DIRECTOR: INFRASTRUCTURE ASSET MANAGEMENT	SIGNATURE _____ DATE _____
DIRECTOR: TRANSPORT INFRASTRUCTURE PLANNING	SIGNATURE _____ DATE _____
DIRECTOR: INTELLIGENT TRANSPORT SYSTEMS AND TRAFFIC ENGINEERING	SIGNATURE _____ DATE _____
DIRECTOR: INFRASTRUCTURE MAINTENANCE MANAGEMENT (IMM)	SIGNATURE _____ DATE _____

AMENDMENTS				
NR.	DATE	APPROVED	DESCRIPTION	PAR

DESIGNED P.A. ODENDAAL Pr.Eng.	DRAWN S. AJDIE
DESIGN CHECKED BY P.A. ODENDAAL Pr.Eng.	INFRASTRUCTURE TECHNICAL INFORMATION MANAGEMENT D.J. CHALMERS

PROJECT STATUS				
<input type="radio"/> CONCEPT DRAWING	<input type="radio"/> TENDER DRAWING	<input type="radio"/> APPROVED FOR CONSTRUCTION	<input type="radio"/> AS BUILT DRAWING	
PROJECT ENGINEER (CONSULTANT)				
INITIALS AND SURNAME	SIGNATURE AND Pr. No.	DATE		
INSPECTOR OF WORKS (CITY OF TSHWANE)				
INITIALS AND SURNAME	SIGNATURE AND Pr. No.	DATE		

CONSULTANT DETAIL	

CITY OF TSHWANE
ROADS AND TRANSPORT DEPARTMENT

Mr P. I. Lefentane
STRATEGIC EXECUTIVE DIRECTOR
P.O. BOX 1409
PRETORIA
0001

Ms. L. V. Kegakwe-Pku
EXECUTIVE DIRECTOR
P.O. BOX 1409
PRETORIA
0001

DRAWING APPROVED BY EXECUTIVE DIRECTOR
Ms. L. V. Kegakwe-Pku

SIGNATURE: _____ DATE: _____

LOCATION OF PROJECT: _____

TYPICAL STANDARD DETAILS

CONCRETE PAVEMENT DETAILS FOR ROAD CONSTRUCTION

DESCRIPTION OF PROJECT

CONTRACT No.: _____ PROJECT No.: _____

DATE: MAY 2013 SCALE: AS SHOWN ORIGINAL PAPER SIZE: A1

DRAWING No. **STD010** SHEET No. 1 OF 1 REVISION