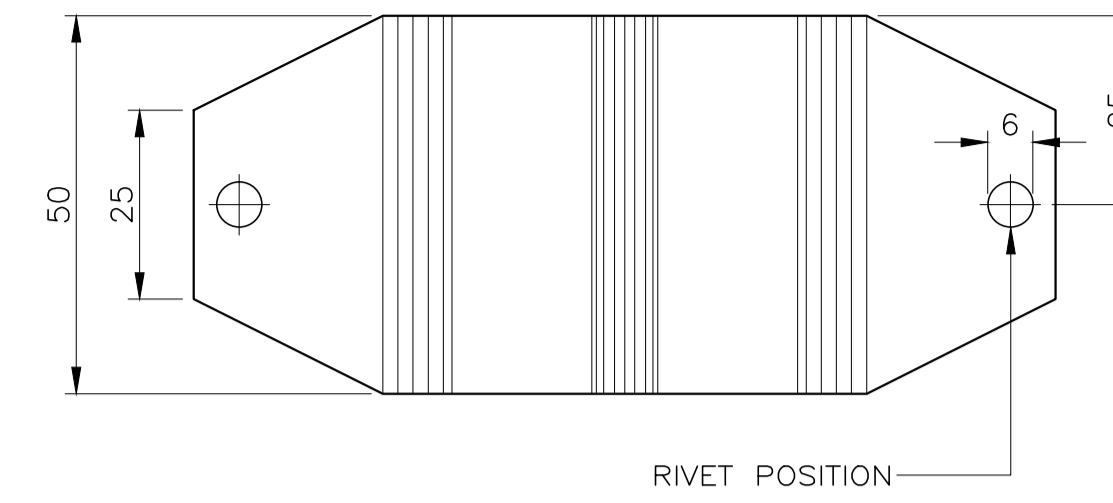
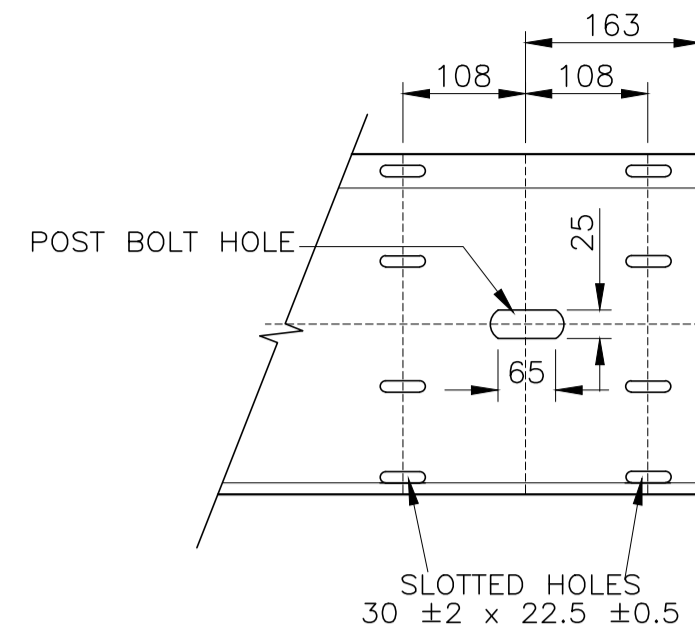
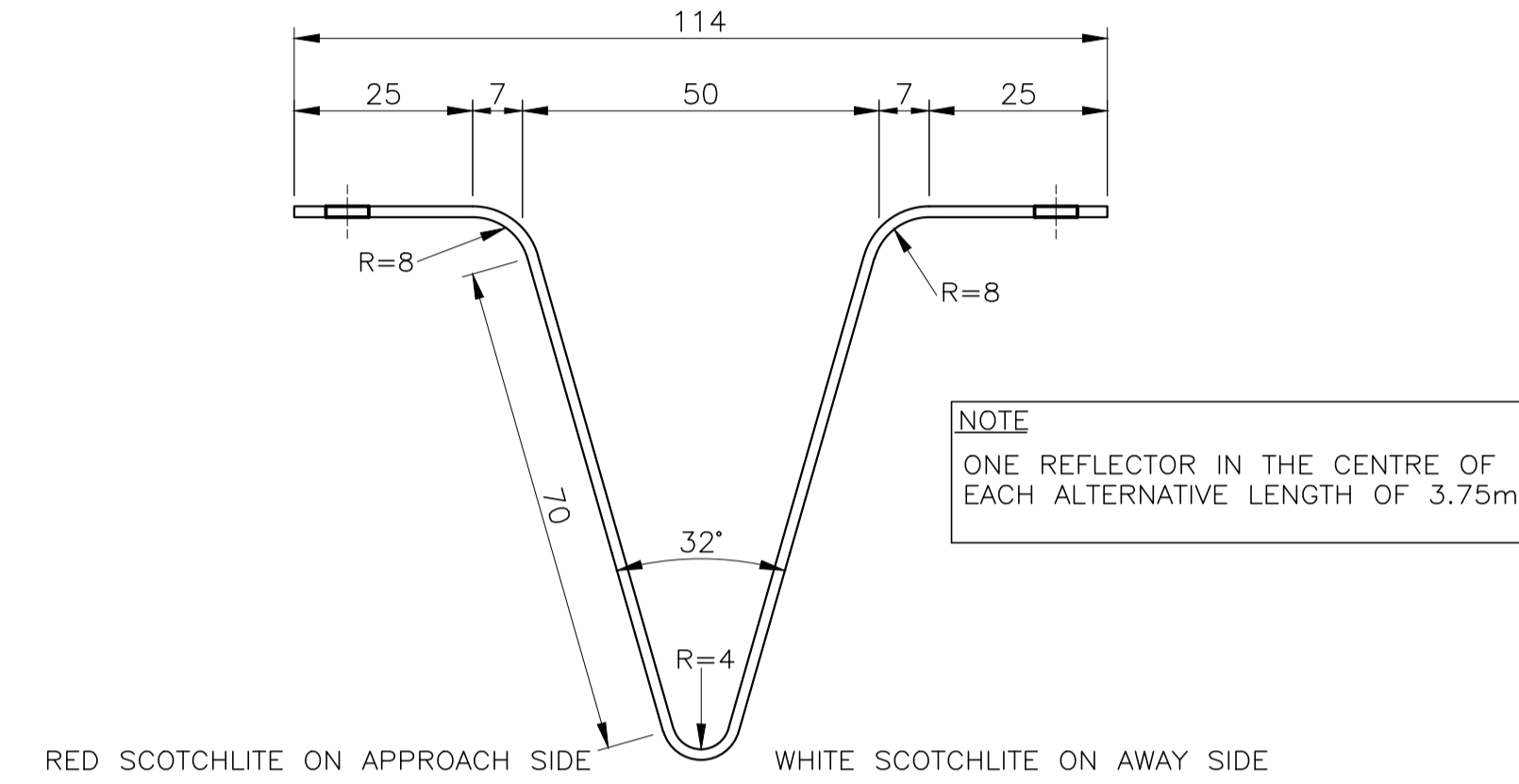


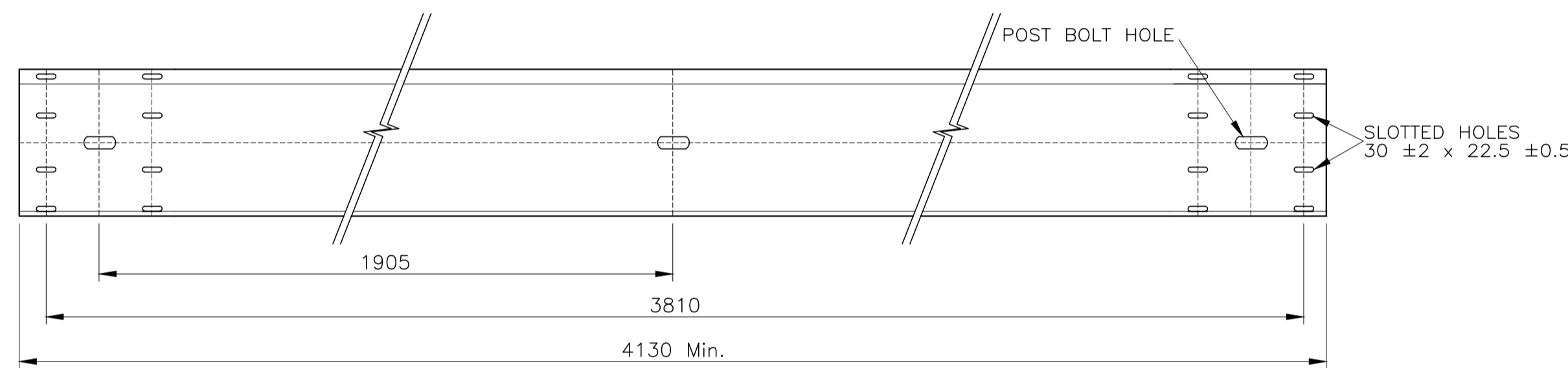
CROSS-SECTION OF GUARDRAIL
SCALE 1:2



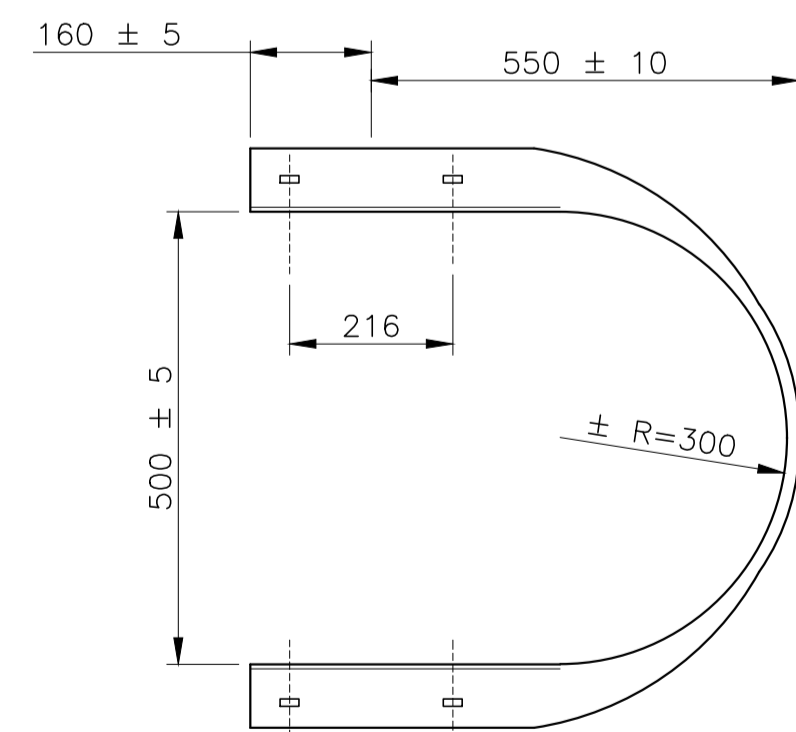
FRONT ELEVATION
SCALE 1:25



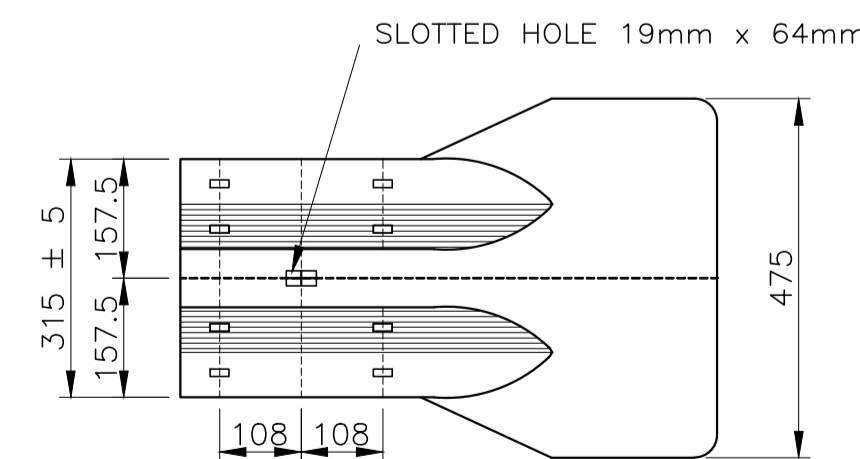
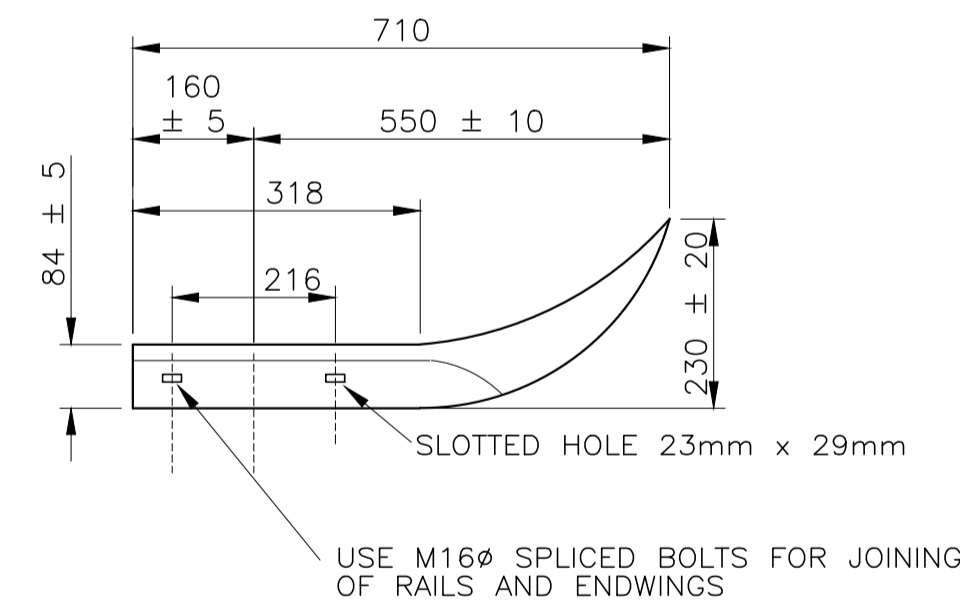
SECTIONAL PLAN : DETAIL OF REFLECTOR PLATE
SCALE 1:1



GUARDRAIL
SCALE 1:10



BULLNOSE ENDWING - PLAN



STANDARD TYPICAL FLARED ENDWING
SCALE 1:10

ROADS AND STORMWATER For Internal Approval	
RECEIVED SIGN WHEN APPLICABLE	
DIRECTOR: INFRASTRUCTURE PROVISION	SIGNATURE _____ DATE _____
DIRECTOR: INFRASTRUCTURE CONSTRUCTION PROJECT MANAGEMENT	SIGNATURE _____ DATE _____
DIRECTOR: INFRASTRUCTURE ASSET MANAGEMENT	SIGNATURE _____ DATE _____
DIRECTOR: TRANSPORT INFRASTRUCTURE PLANNING	SIGNATURE _____ DATE _____
DIRECTOR: INTELLIGENT TRANSPORT SYSTEMS AND TRAFFIC ENGINEERING	SIGNATURE _____ DATE _____
DIRECTOR: INFRASTRUCTURE MAINTENANCE MANAGEMENT (IMM)	SIGNATURE _____ DATE _____

NOTES AND SPECIFICATIONS

AMENDMENTS				
NR.	DATE	APPROVED	DESCRIPTION	PAR.

DESIGNED P. VILJOEN Pr. Tech.	DRAWN S. AUDIE
DESIGN CHECKED BY P. A. ODENDAAL Pr. Eng.	INFRASTRUCTURE TECHNICAL INFORMATION MANAGEMENT D.J. CHALMERS

PROJECT STATUS			
<input type="radio"/> CONCEPT DRAWING	<input type="radio"/> TENDER DRAWING	<input type="radio"/> APPROVED FOR CONSTRUCTION	<input type="radio"/> AS BUILT DRAWING

PROJECT ENGINEER (CONSULTANT)	SIGNATURE AND Pr. No. _____ DATE _____
INITIALS AND SURNAME _____	SIGNATURE AND Pr. No. _____ DATE _____
INSPECTOR OF WORKS (CITY OF TSHWANE)	SIGNATURE AND Pr. No. _____ DATE _____

CONSULTANT DETAIL

CITY OF TSHWANE
ROADS AND TRANSPORT DEPARTMENT
Mr P. L. Lelobane
STRATEGIC EXECUTIVE DIRECTOR
P.O. BOX 1409
PRETORIA 0001

Ms. L. V. Kegakhe-Piki
EXECUTIVE DIRECTOR
P.O. BOX 1409
PRETORIA 0001

DRAWING APPROVED BY EXECUTIVE DIRECTOR
Ms. L. V. Kegakhe-Piki

LOCATION OF PROJECT:
TYPICAL STANDARD DETAILS

DESCRIPTION OF PROJECT:
GUARDRAILS
CROSS SECTION, REFLECTOR PLATES AND ENDWINGS

CONTRACT No.:	PROJECT No.:
DATE: MAY 2013	SCALE: AS SHOWN
DRAWING NO. STD013	SHEET NO. 3 OF 3
ORIGINAL PAPER SIZE: A1	REVISION

