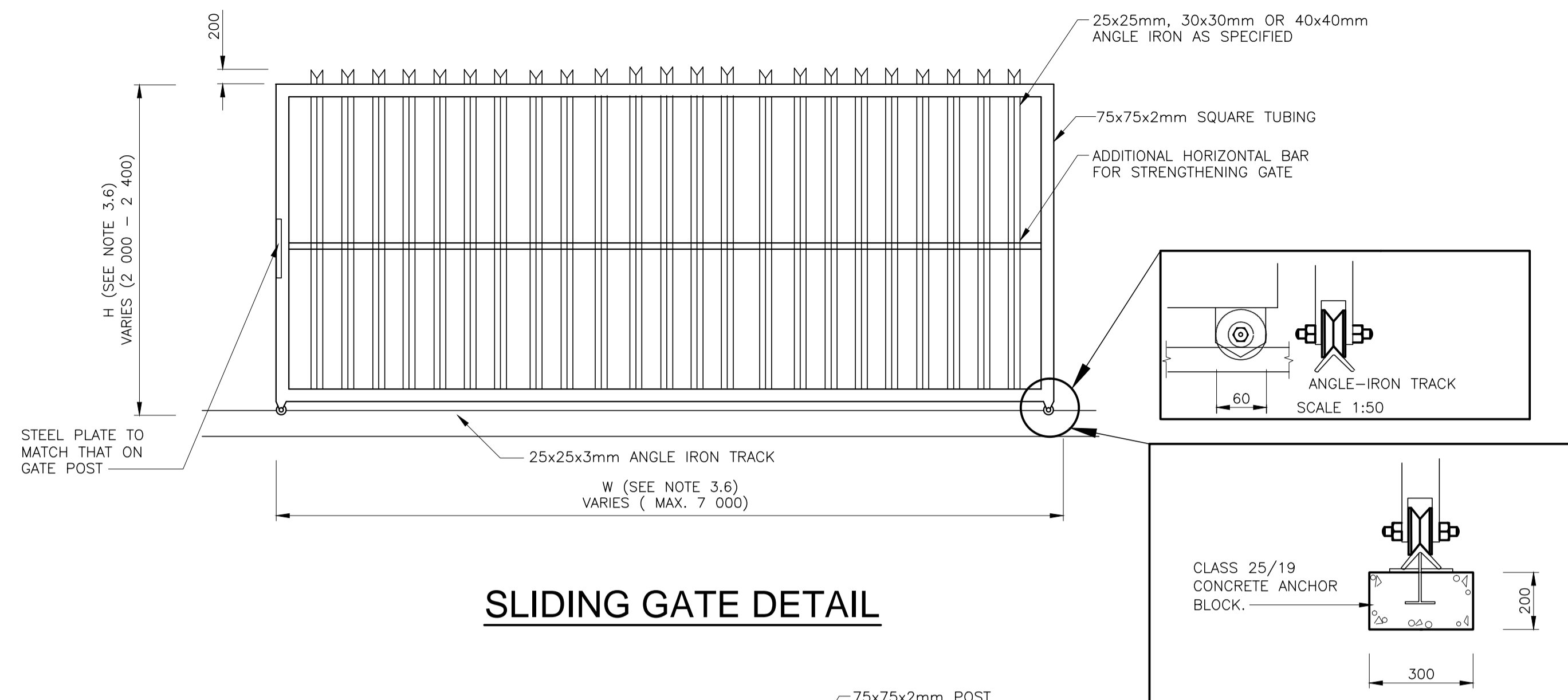
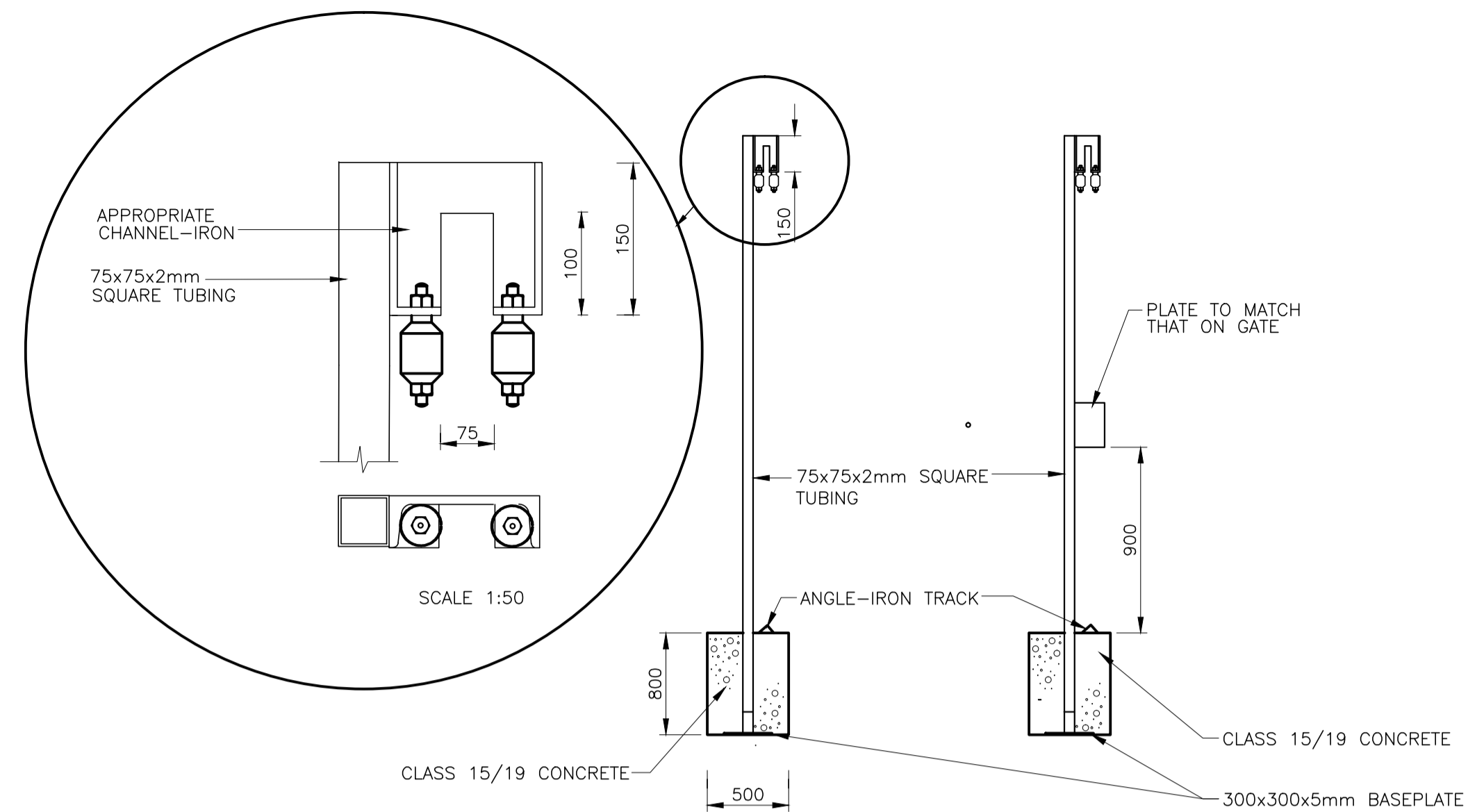


NOTES AND SPECIFICATIONS

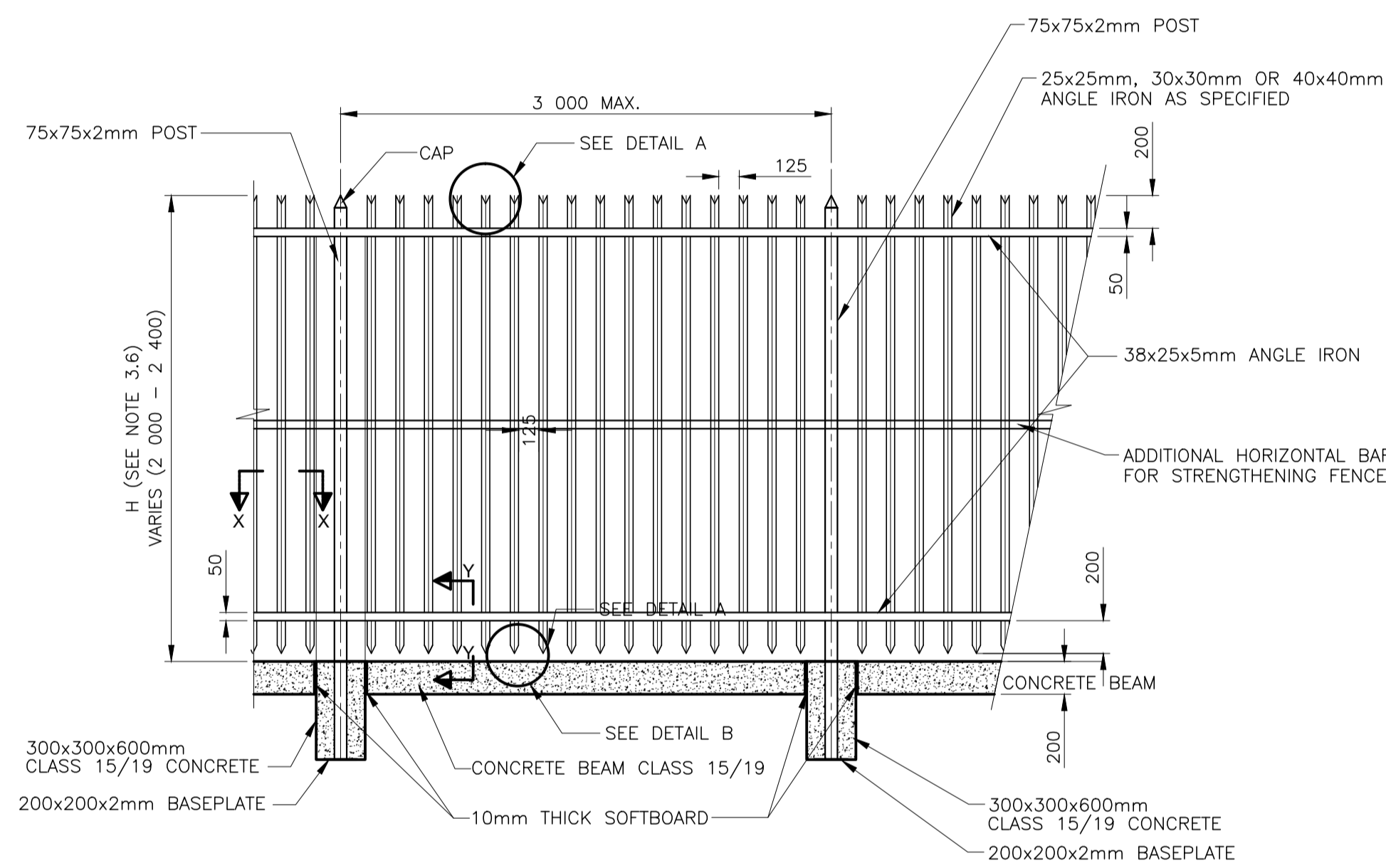
- GENERAL
 - ALL MATERIAL AND WORKMANSHIP MUST COMPLY WITH THE REQUIREMENTS OF THE LATEST RELEVANT SANS SPECIFICATIONS.
 - ALL DIMENSIONS ARE IN MILLIMETERS. (UNLESS OTHERWISE SPECIFIED)
 - DO NOT SCALE FROM THESE DRAWINGS.
 - ALL DIMENSIONS MUST BE CHECKED AND APPROVED ON SITE.
 - ALL CONSTRUCTION TO BE DONE IN ACCORDANCE WITH THE STANDARD SPECIFICATIONS FOR MUNICIPAL CIVIL ENGINEERING WORKS, THIRD EDITION, 2005 AND THE STANDARD CTMM DETAIL DRAWINGS.
 - THESE DRAWINGS MUST BE READ IN CONJUNCTION WITH THE ARCHITECTS DRAWINGS, (IF APPLICABLE)
- CONCRETE
 - REINFORCED CONCRETE WORK SHALL BE IN STRICT ACCORDANCE WITH SECTIONS 702, 703 AND 704 OF THE STANDARD SPECIFICATIONS FOR MUNICIPAL CIVIL ENGINEERING WORKS, 3rd EDITION, 2005.
 - ALL EXCAVATIONS FOR BASES AND FOOTINGS MUST BE INSPECTED AND APPROVED IN WRITING BY THE ENGINEER BEFORE CONCRETE IS PLACED.
 - REINFORCEMENT AND FORMWORK MUST BE INSPECTED AND APPROVED IN WRITING BY THE ENGINEER BEFORE CONCRETE IS PLACED.
- STEELWORK
 - STRUCTURAL STEELWORK SHALL BE IN STRICT ACCORDANCE WITH SECTION 809 OF THE STANDARD SPECIFICATIONS FOR MUNICIPAL CIVIL ENGINEERING WORKS, 3rd EDITION, 2005
 - STRUCTURAL STEEL SHALL BE GRADE 300W UNLESS OTHERWISE INDICATED OR SPECIFIED.
 - COLD FORMED SECTIONS SHALL BE MADE FROM COMMERCIAL QUALITY STEEL UNLESS OTHERWISE SPECIFIED.
 - HOLDING DOWN BOLTS SHALL BE OF THE GRADE SPECIFIED ON THE DRAWINGS.
 - PAINTING OF STRUCTURAL STEELWORK SHALL BE IN STRICT ACCORDANCE WITH THE REQUIREMENTS OF SECTION 806 OF THE STANDARD SPECIFICATIONS. NOTE: THE RATES TENDERED FOR STRUCTURAL STEELWORK SHALL BE DEEMED TO INCLUDE FOR PAINTING AS SPECIFIED IN SECTION 806 OF THE STANDARD SPECIFICATIONS, FOR MUNICIPAL CIVIL ENGINEERING WORKS, 3rd EDITION, 2005.
 - "W" AND "H" INDICATE THE WIDTH OF THE GATE AND HEIGHT OF THE PALISADE FENCE RESPECTIVELY. VALUES FOR "W" AND "H" WILL BE SHOWN ON THE DETAIL DRAWINGS, IN THE SCHEDULE OF QUANTITIES OR INDICATED BY THE ENGINEER.



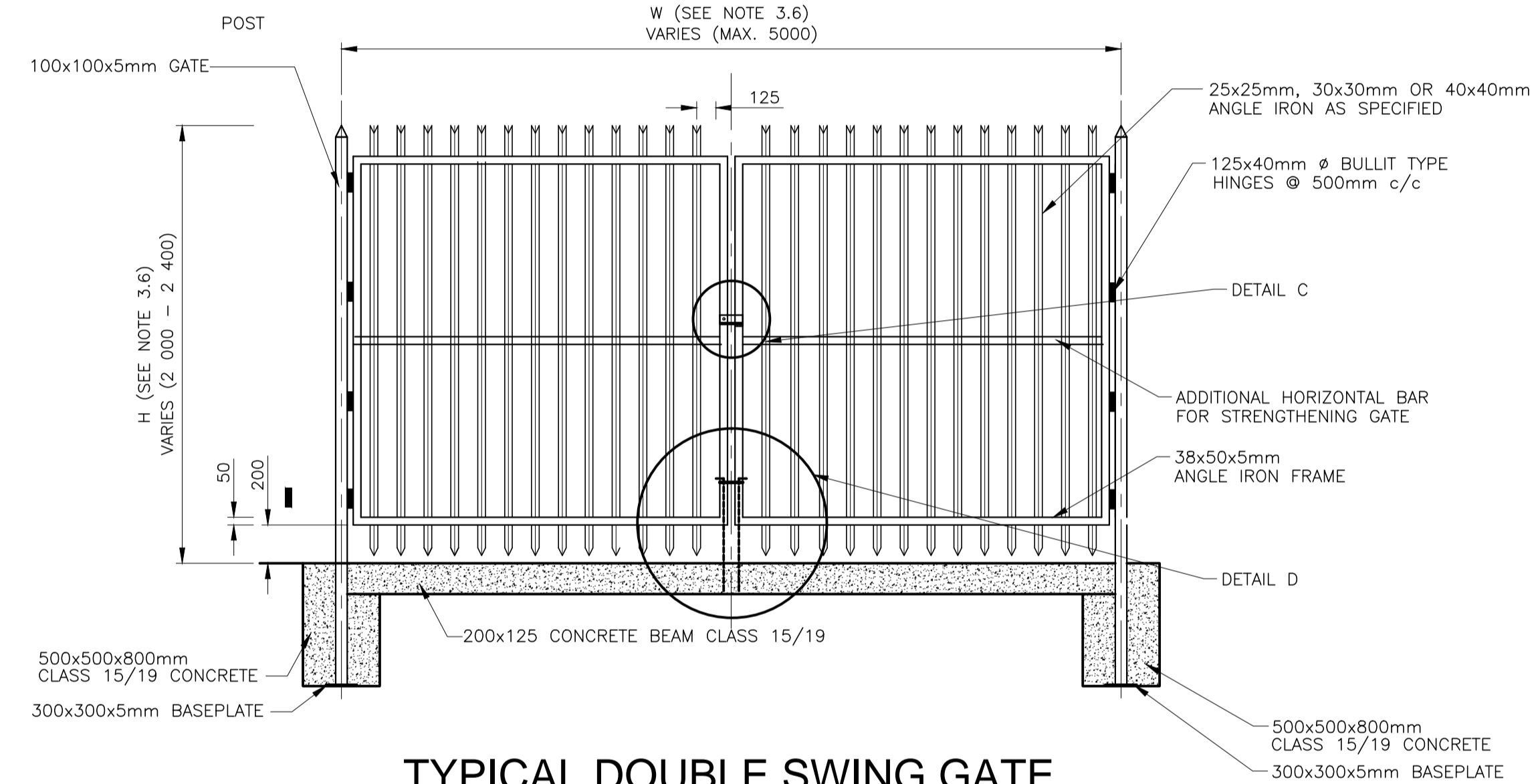
SLIDING GATE DETAIL



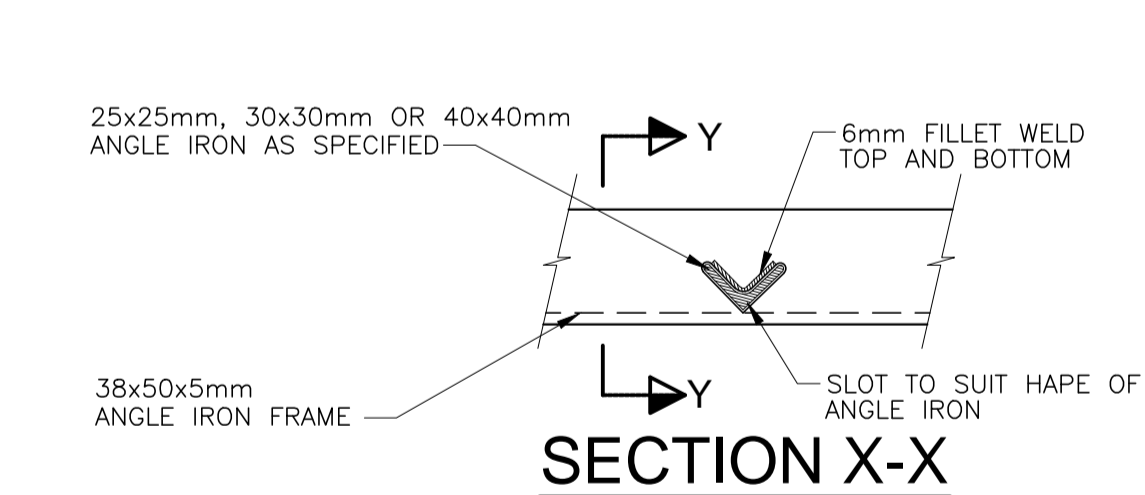
GATEPOSTS FOR SLIDING GATE DETAIL



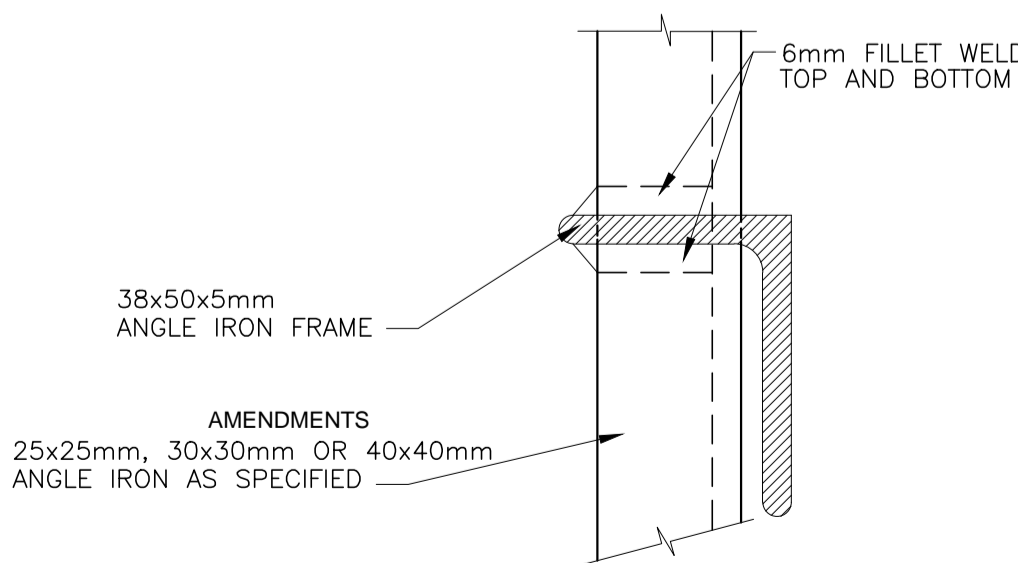
FRONT ELEVATION



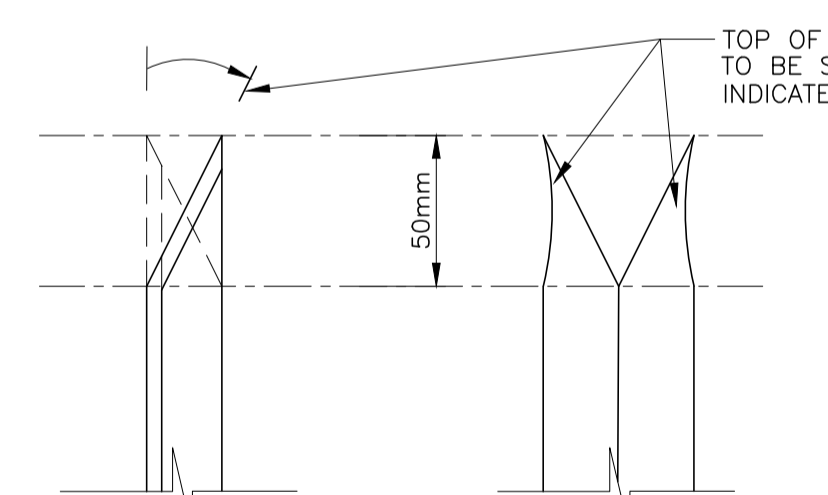
TYPICAL DOUBLE SWING GATE



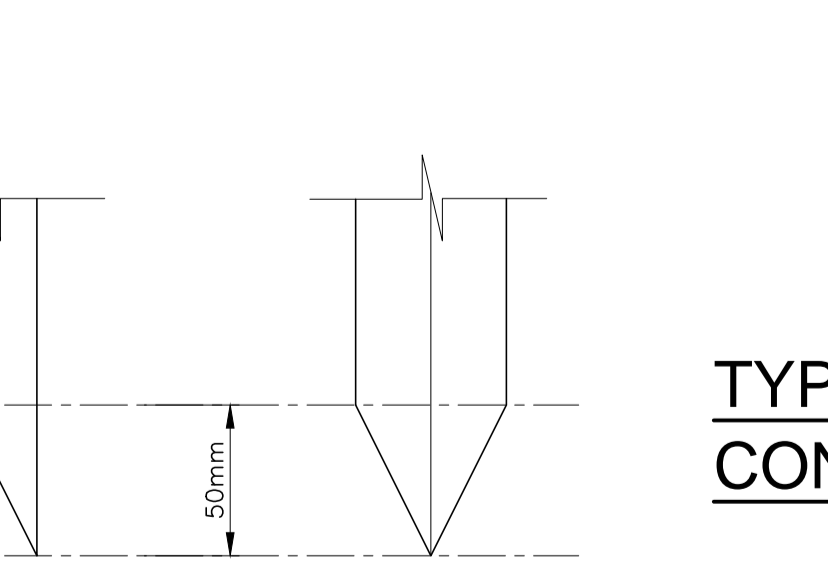
SECTION X-X



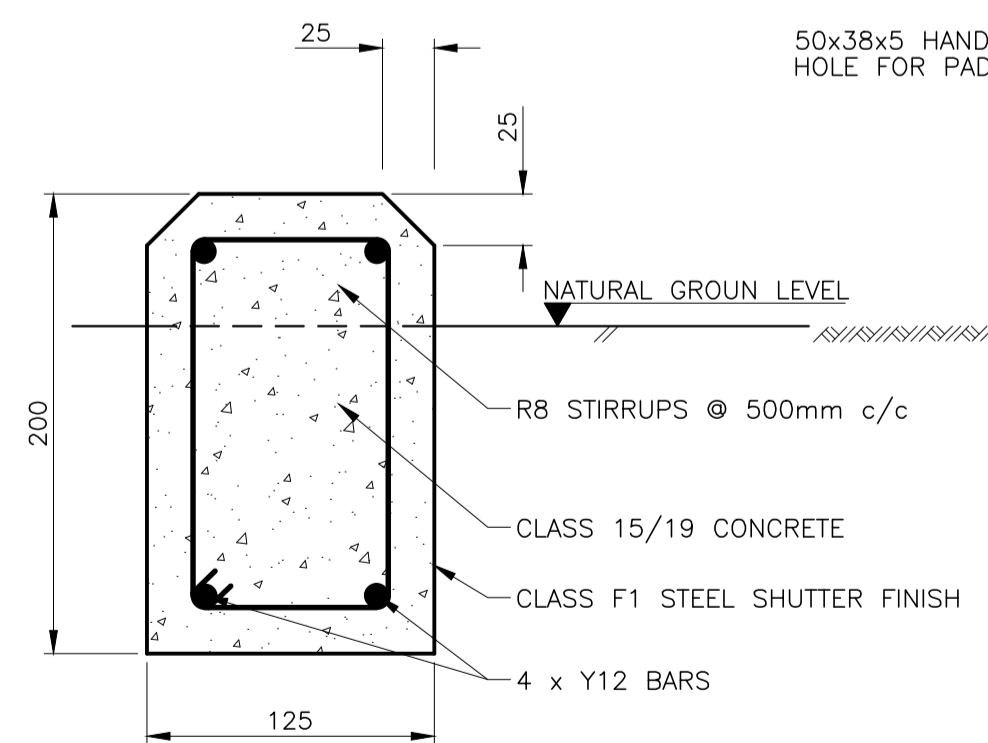
SECTION Y-Y



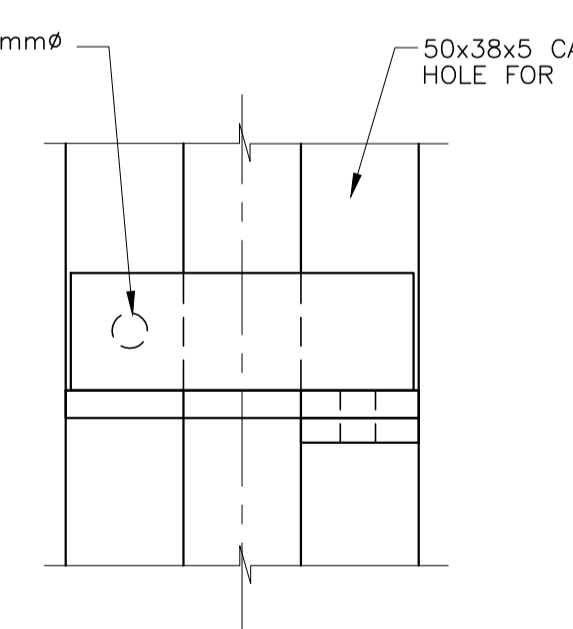
DETAIL A



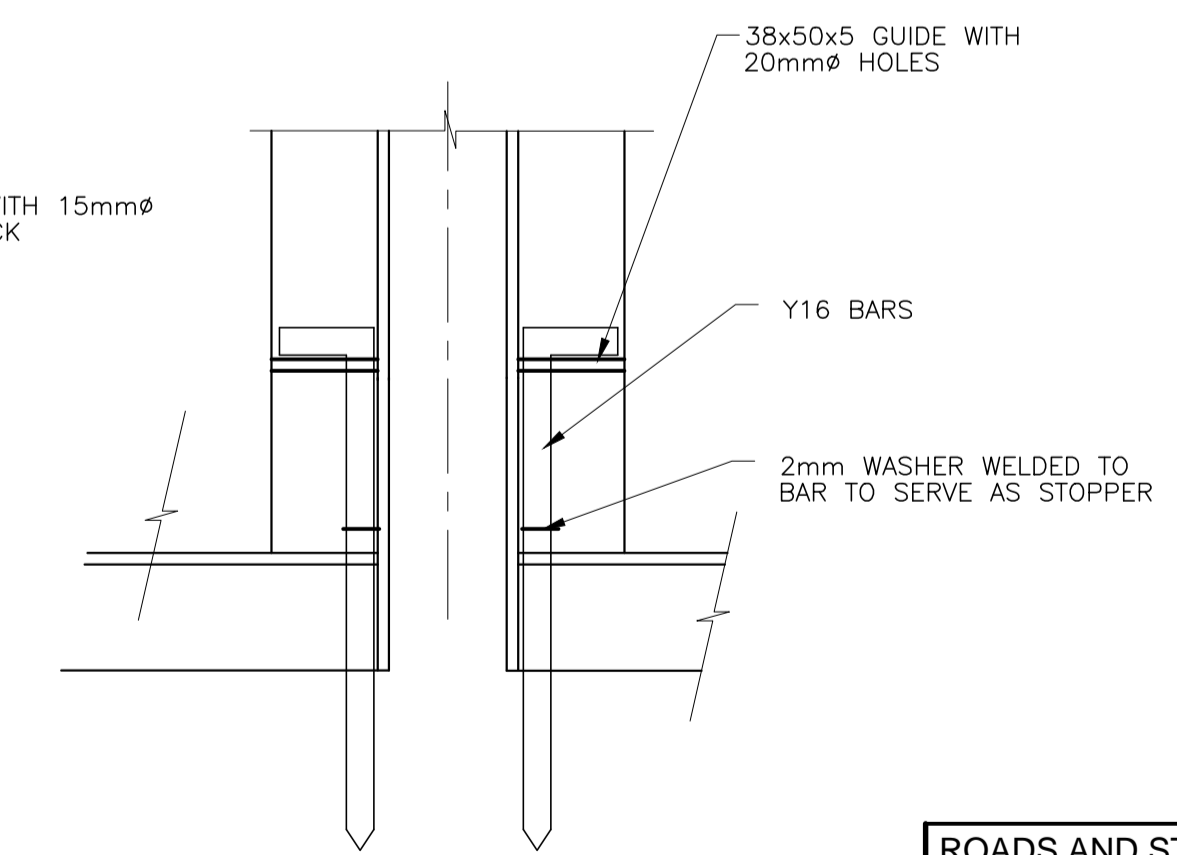
DETAIL B



TYPICAL SECTION THROUGH CONCRETE BEAM



DETAIL C (FRONT ELEVATION)



DETAIL D (BACK ELEVATION)

AMENDMENTS				
NR.	DATE	APPROVED	DESCRIPTION	PAR.

DESIGNED J.G. CLAASSEN Pr.Eng.	DRAWN S. AUDIE
DESIGN CHECKED BY P. A. ODENDAAL Pr.Eng.	APPROVED FOR CONSTRUCTION D.J. CHALMERS

PROJECT STATUS			
<input type="radio"/> CONCEPT DRAWING	<input type="radio"/> TENDER DRAWING	<input type="radio"/> APPROVED FOR CONSTRUCTION	<input type="radio"/> AS BUILT DRAWING

PROJECT ENGINEER (CONSULTANT)	INITIALS AND SURNAME	SIGNATURE AND Pr. No.	DATE
INSPECTOR OF WORKS (CITY OF TSHWANE)	INITIALS AND SURNAME	SIGNATURE AND Pr. No.	DATE

CONSULTANT DETAIL	

CITY OF TSHWANE
ROADS AND TRANSPORT DEPARTMENT
 Mr. P. I. Lefthand
 STRATEGIC EXECUTIVE DIRECTOR
 P.O. BOX 1409
 PRETORIA 0001

Ms. L. V. Kgagkagwe-Piki
 EXECUTIVE DIRECTOR
 P.O. BOX 1409
 PRETORIA 0001

DRAWING APPROVED BY EXECUTIVE DIRECTOR
 Ms. L. V. Kgagkagwe-Piki

TYPICAL STANDARD DETAILS

FENCES AND GATES
 STEEL PALISADE FENCING

ROADS AND STORMWATER For Internal Approval	RECEIVED SIGN (IF APPLICABLE)
DIRECTOR: INFRASTRUCTURE PROVISION	SIGNATURE DATE
DIRECTOR: INFRASTRUCTURE CONSTRUCTION (PROJECTS) MANAGEMENT	SIGNATURE DATE
DIRECTOR: INFRASTRUCTURE ASSET MANAGEMENT	SIGNATURE DATE
DIRECTOR: TRANSPORT INFRASTRUCTURE PLANNING	SIGNATURE DATE
DIRECTOR: INTELLIGENT TRANSPORT SYSTEMS AND TRAFFIC ENGINEERING	SIGNATURE DATE
DIRECTOR: INFRASTRUCTURE MAINTENANCE MANAGEMENT (IMM)	SIGNATURE DATE

CONTRACT No.:	PROJECT No.:
DATE: MAY 2013	SCALE: AS SHOWN
DRAWING NO. STD014	SHEET NO. 2 OF 3
ORIGINAL PAPER SIZE: A1	REVISION