

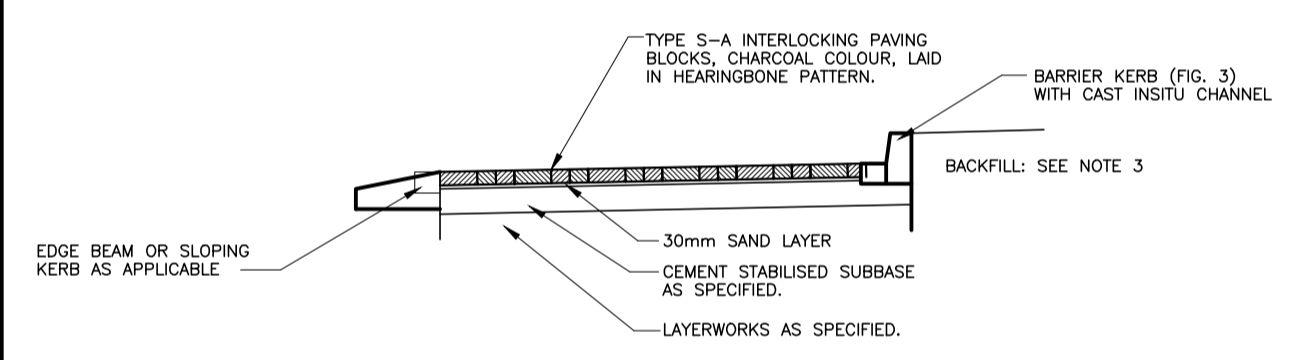
TABLE A: DIMENSIONS OF BUS AND TAXI BAYS

DIMENSION	BUS BAY	TAXI BAY
A	18,0m *(15,0m)	10,0m *(8,0m)
B	15,0m *(12,0m) 12,0m PER ADDITIONAL BUS	8,0m *(6,0m) 8,0m *(5,5m) PER ADDITIONAL TAXI
C	12,0m	6,0m
D	3,0m - 3,5m	2,5m
1: X	1: 6 *(1: 5)	1: 4 *(1: 3,2)
1: Y	1: 4	1: 2,4

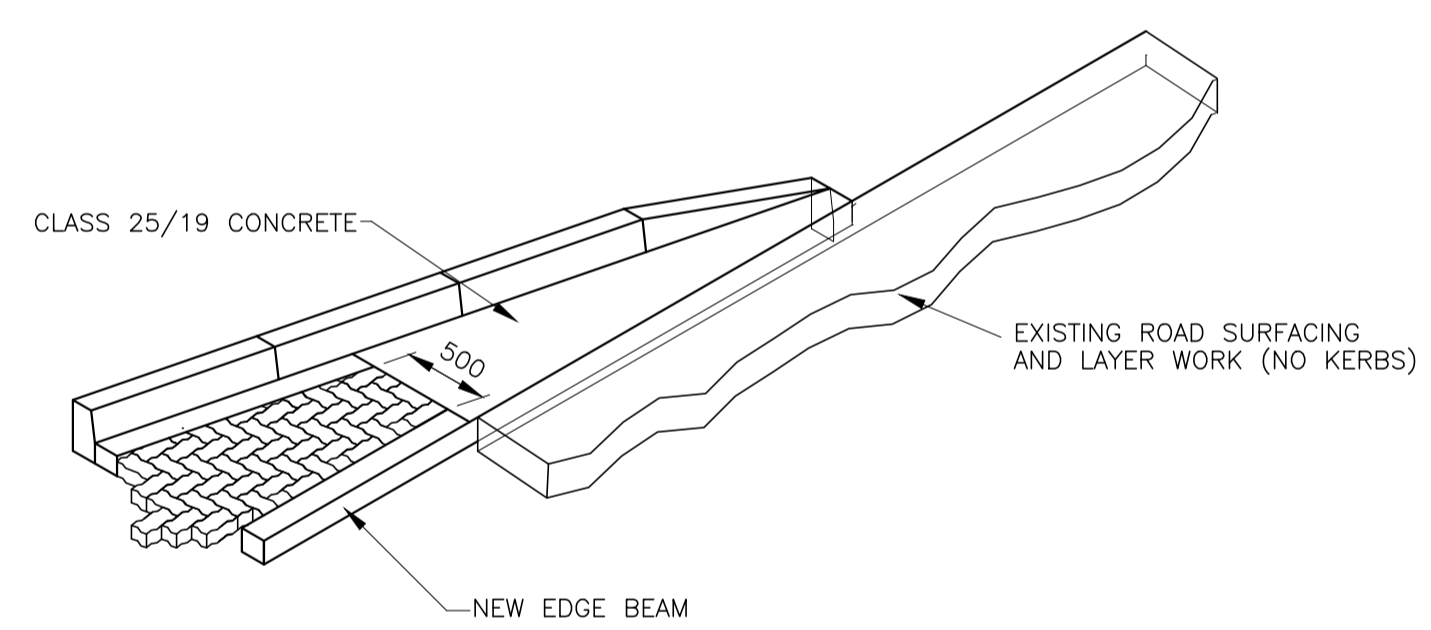
* NOTE: Use the values in brackets only when the normal standard is not attainable.

LAYOUT PLAN OF TYPICAL BUS BAY

SCALE - 1: 50

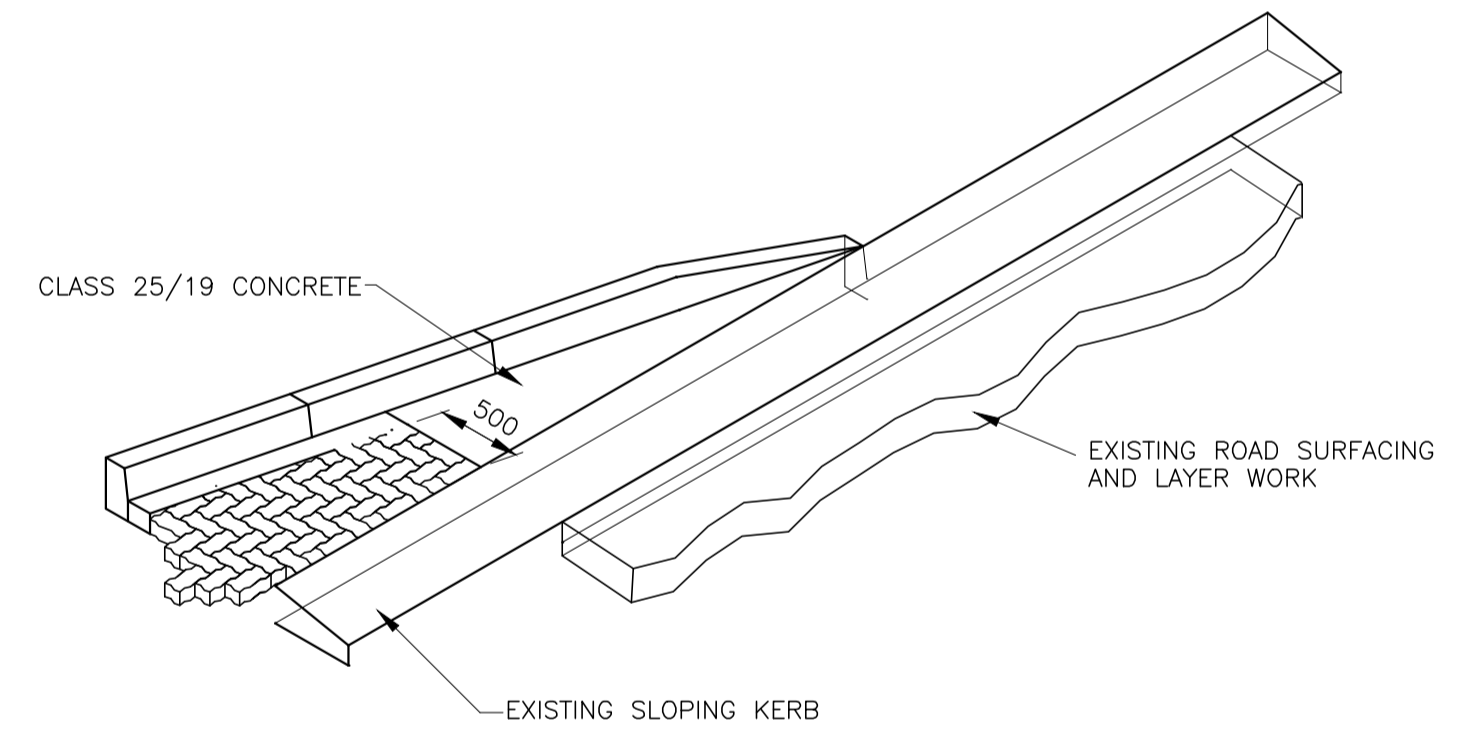


SECTION A-A



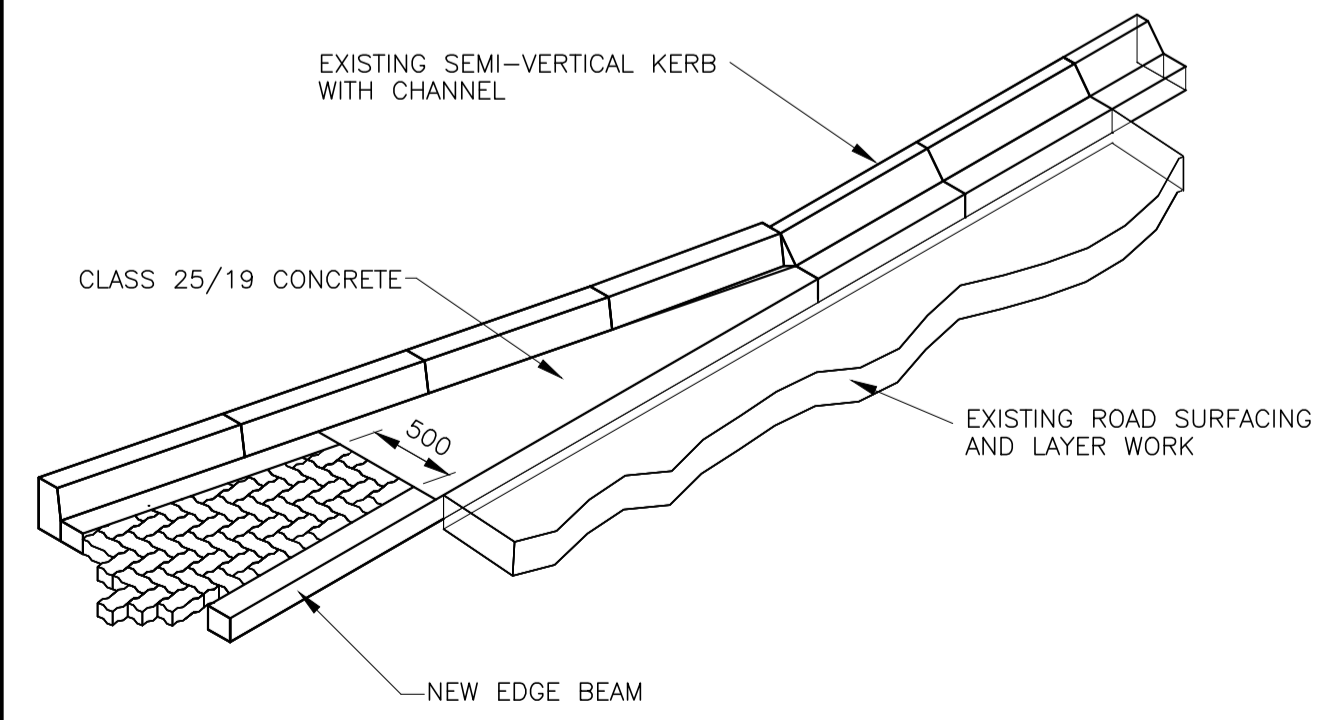
DETAIL A

BUS / TAXI BAY ADJOINING ROAD WITH NO KERBS



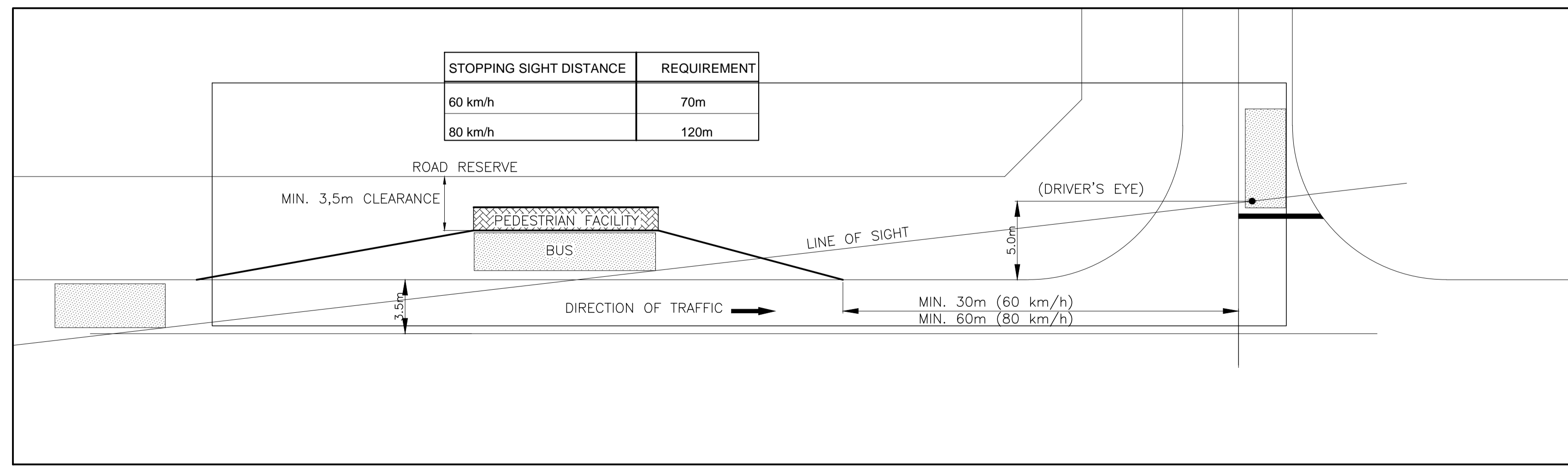
DETAIL B

BUS / TAXI BAY ADJOINING ROAD WITH SLOPING KERBS



DETAIL C

BUS / TAXI BAY ADJOINING ROAD WITH SEMI-VERTICAL KERBS



ACCESS ADJACENT TO BUS/TAXI BAY

SCALE - 1: 50

AMENDMENTS

NR.	DATE	APPROVED	DESCRIPTION	PAR.

DESIGNED C.B. RAMEKANE	DRAWN S. AUDIE
DESIGN CHECKED BY P. A. ODENDAAL Pr.Eng.	INFRASTRUCTURE TECHNICAL INFORMATION MANAGEMENT D.J. CHALMERS

PROJECT STATUS

CONCEPT DRAWING TENDER DRAWING APPROVED FOR CONSTRUCTION DRAWING AS BUILT DRAWING

PROJECT ENGINEER (CONSULTANT)

INITIALS AND SURNAME _____ SIGNATURE AND Pr. No. _____ DATE _____

INSPECTOR OF WORKS (CITY OF TSHWANE)

INITIALS AND SURNAME _____ SIGNATURE AND Pr. No. _____ DATE _____

CONSULTANT DETAIL

CITY OF TSHWANE
ROADS AND TRANSPORT DEPARTMENT

Mr P. Letlonkane DIRECTOR STRATEGIC EXECUTIVE
Ms. L. V. Kegakile-Piki EXECUTIVE DIRECTOR

P.O. BOX 1409 PRETORIA 0001

DRAWING APPROVED BY EXECUTIVE DIRECTOR
Ms. L. V. Kegakile-Piki

TYPICAL STANDARD DETAILS

BUS AND TAXI BAYS GEOMETRICAL LAYOUT AND DETAILS

ROADS AND STORMWATER
For Internal Approval

RECEIVED SIGN WHEN APPLICABLE

DIRECTOR: INFRASTRUCTURE PROVISION

DIRECTOR: INFRASTRUCTURE CONSTRUCTION (PROJECT) MANAGEMENT

DIRECTOR: INFRASTRUCTURE ASSET MANAGEMENT

DIRECTOR: TRANSPORT INFRASTRUCTURE PLANNING

DIRECTOR: INTELLIGENT TRANSPORT SYSTEM AND TRAFFIC ENGINEERING

DIRECTOR: INFRASTRUCTURE MAINTENANCE MANAGEMENT (IMM)

CONTRACT No. : _____ PROJECT No. : _____

DATE: MAY 2013 SCALE: AS SHOWN ORIGINAL PAPER SIZE: A1

DRAWING NO. STD015 SHEET NO. 1 OF 1 REVISION