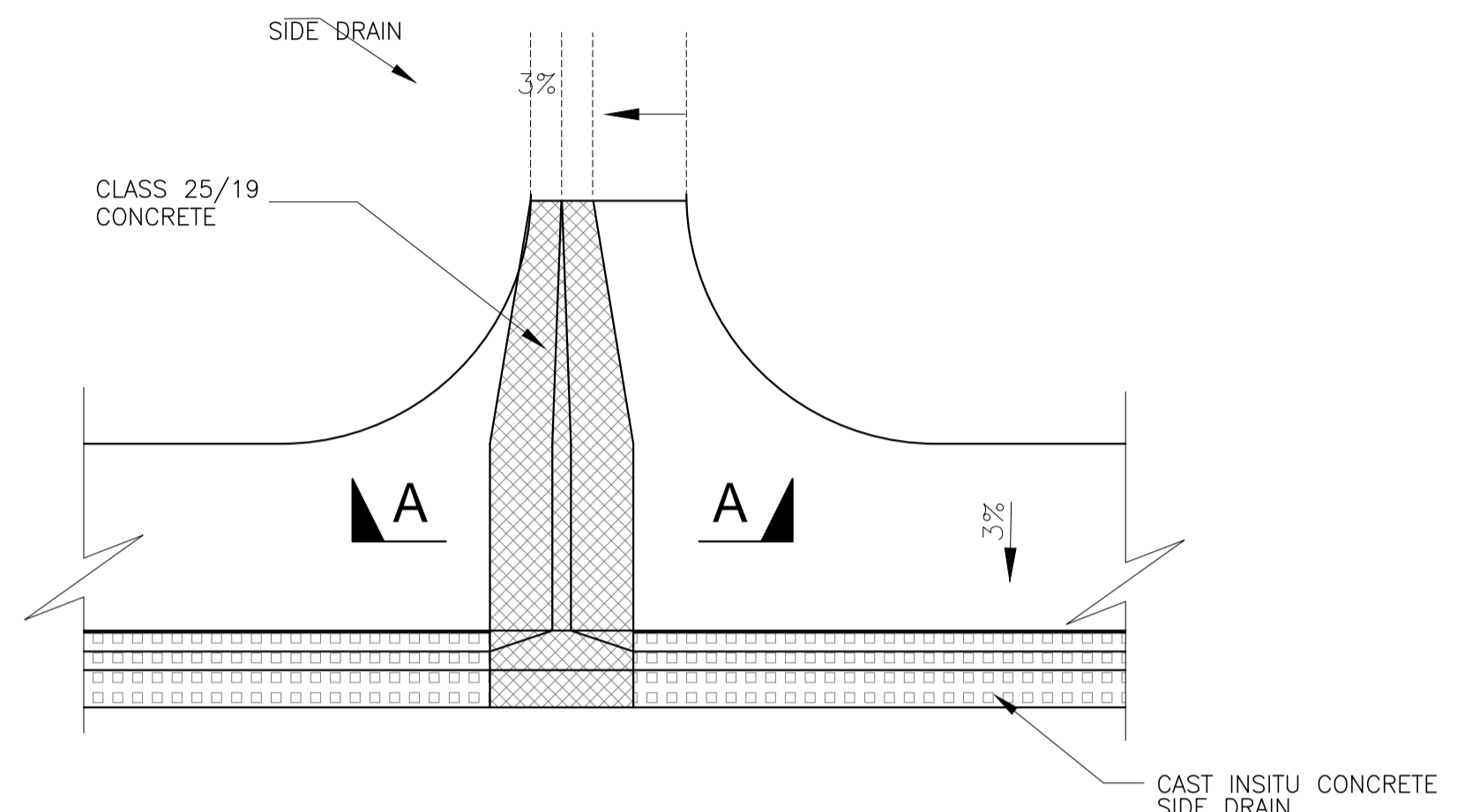
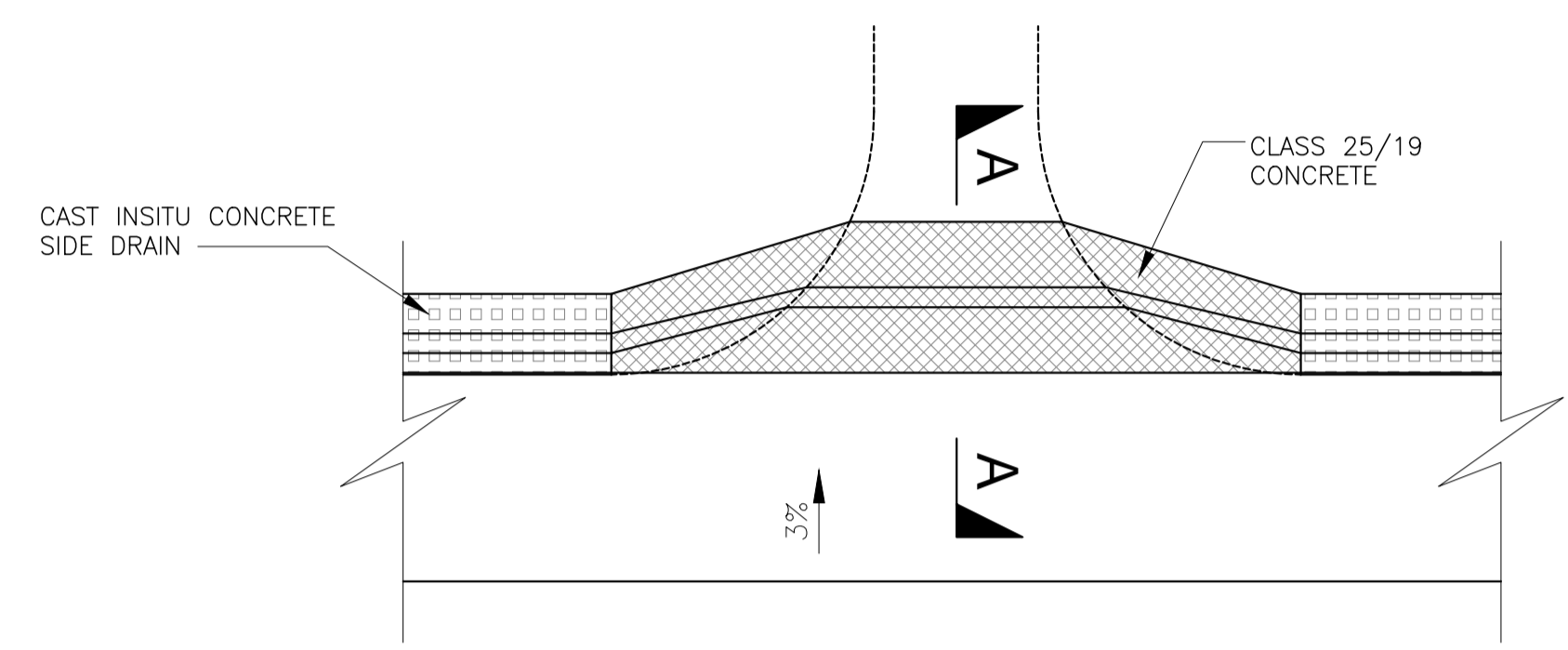


TYPICAL CULVERT LONG SECTION

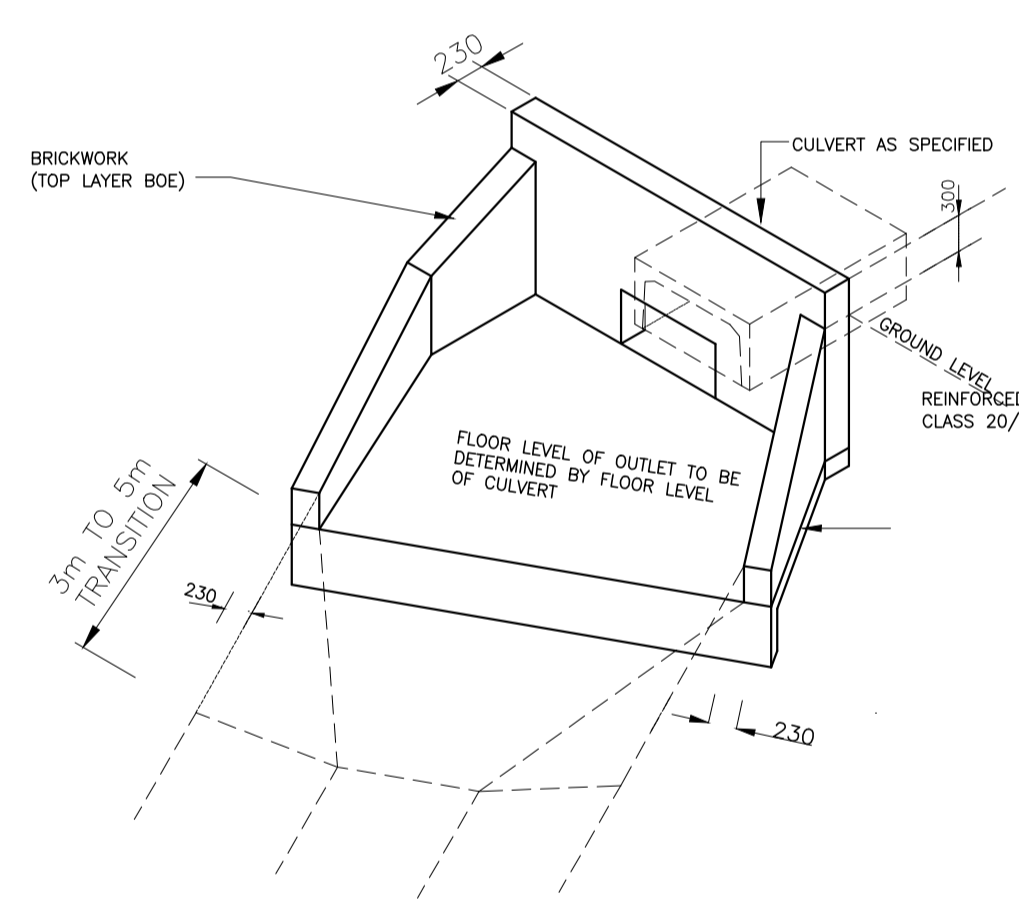


TYPICAL INTERSECTION CROSSING

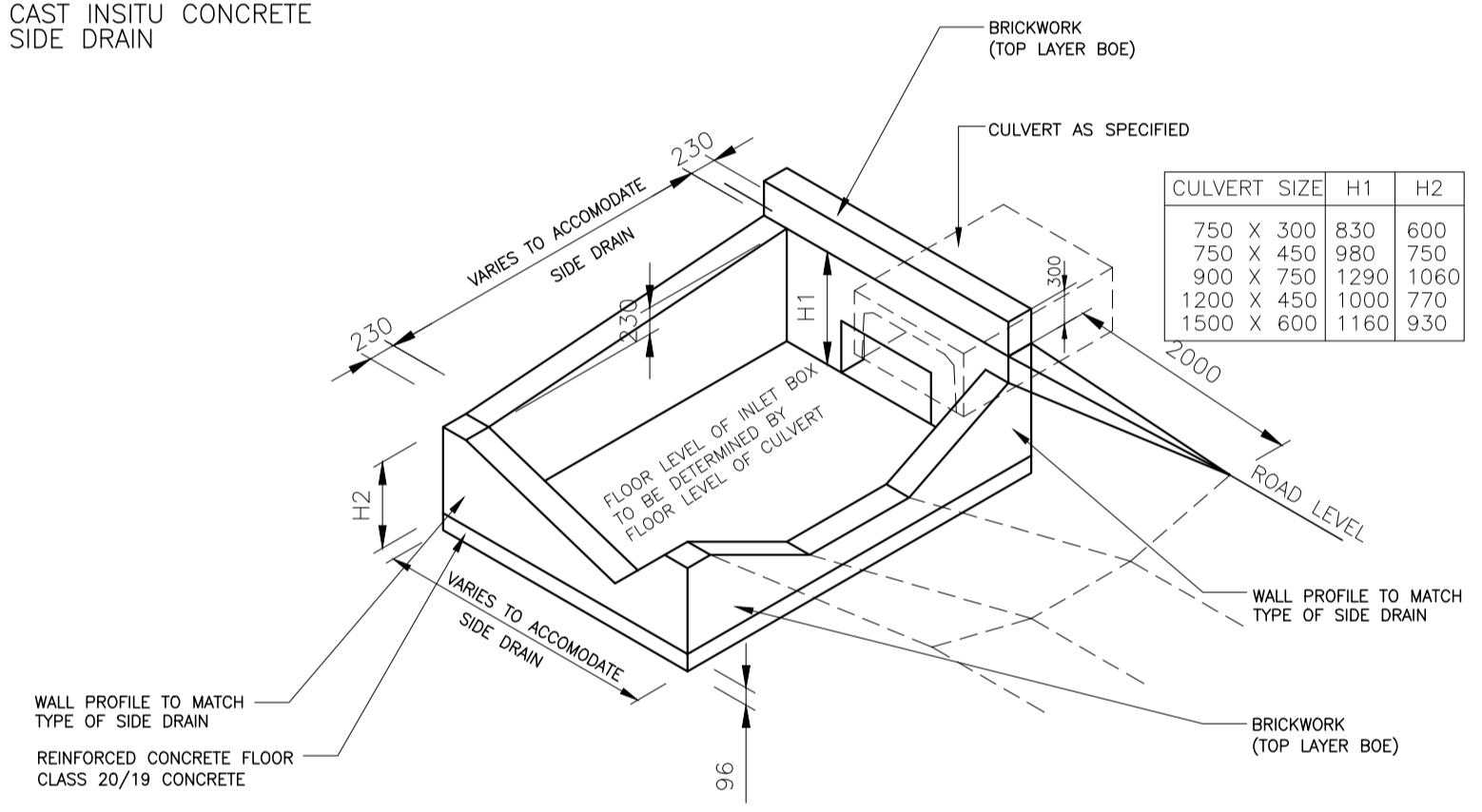
SCALE 1:250



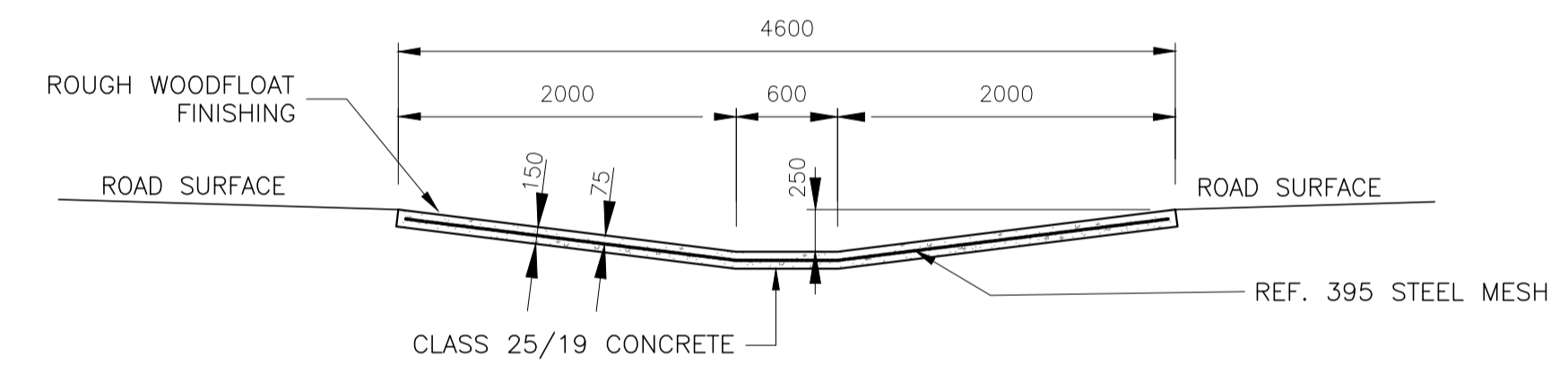
TYPICAL INTERSECTION CROSSING



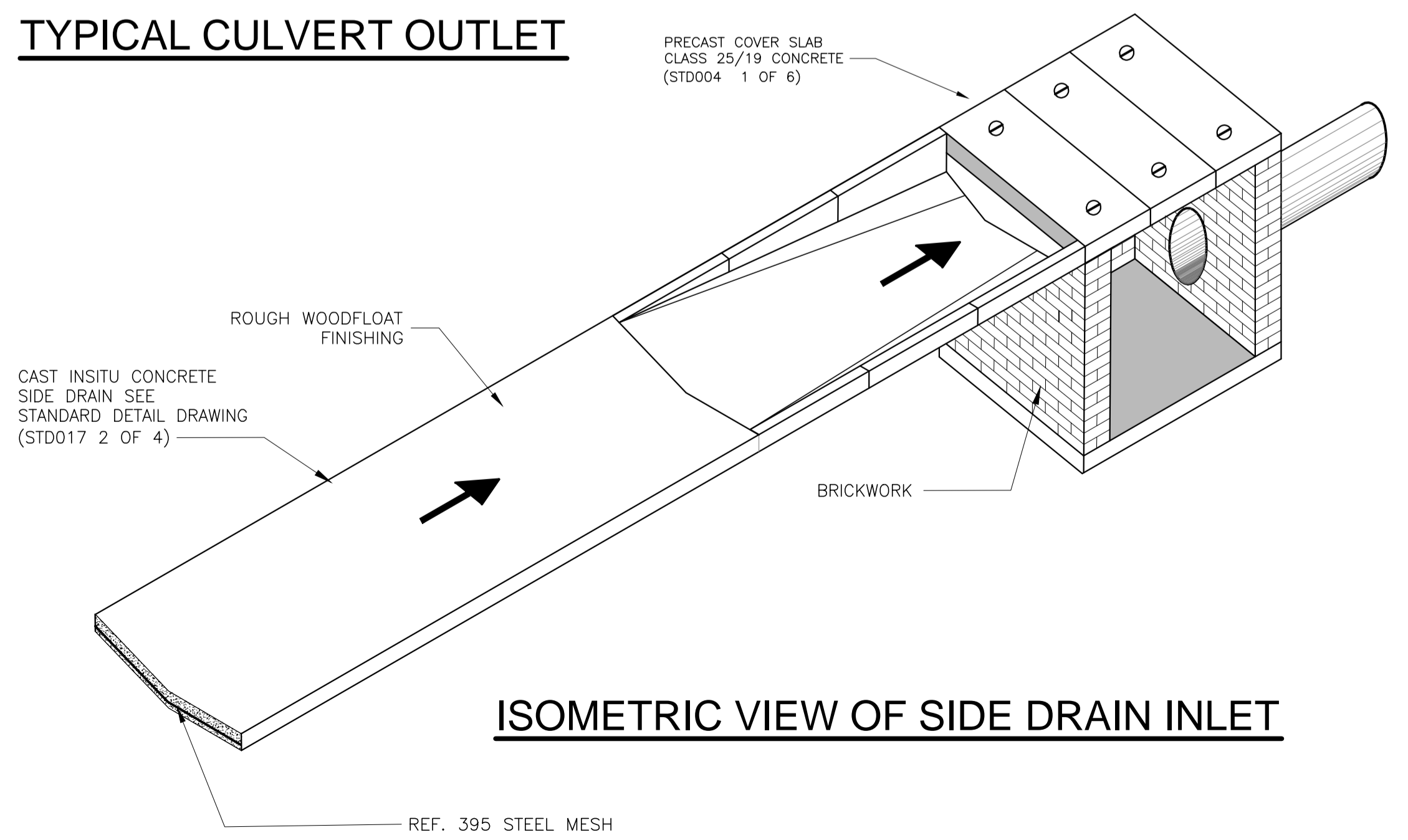
TYPICAL CULVERT OUTLET



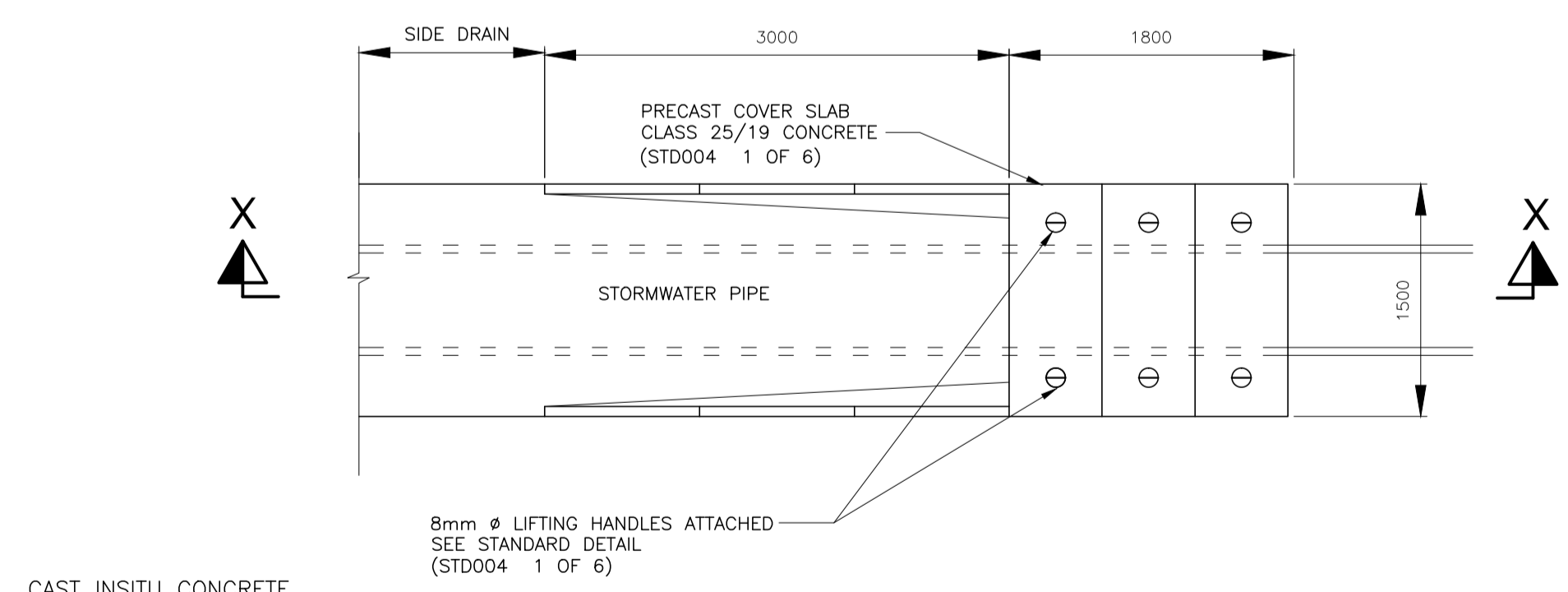
TYPICAL INLET BOX



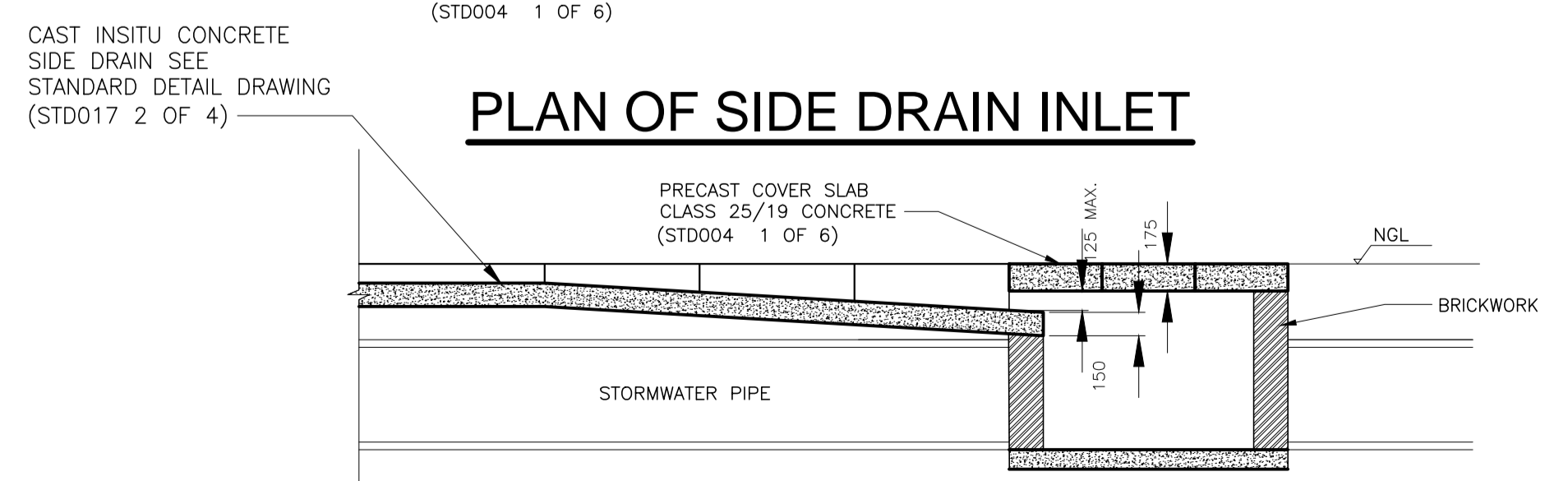
SECTION A-A



ISOMETRIC VIEW OF SIDE DRAIN INLET



PLAN OF SIDE DRAIN INLET



SECTION X-X

AMENDMENTS				
NR.	DATE	APPROVED	DESCRIPTION	PAR.

DESIGNED P. A. ODENDAAL Pr.Eng.	DRAWN S. AUDIE
DESIGN CHECKED BY P. A. ODENDAAL Pr.Eng.	INFRASTRUCTURE TECHNICAL INFORMATION MANAGEMENT D.J. CHALMERS

PROJECT STATUS			
<input type="radio"/> CONCEPT DRAWING	<input type="radio"/> TENDER DRAWING	<input type="radio"/> APPROVED FOR CONSTRUCTION	<input type="radio"/> AS BUILT DRAWING

PROJECT ENGINEER (CONSULTANT)	
INITIALS AND SURNAME	SIGNATURE AND Pr. No. DATE
INSPECTOR OF WORKS (CITY OF TSHWANE)	
INITIALS AND SURNAME	SIGNATURE AND Pr. No. DATE

CONSULTANT DETAIL	

CITY OF TSHWANE
ROADS AND TRANSPORT DEPARTMENT
 Mr P. Letlorkane
 STRATEGIC EXECUTIVE DIRECTOR
 P.O. BOX 1409
 PRETORIA
 0001

Ms. L. V. Kgakakhe-Pitso
 EXECUTIVE DIRECTOR
 P.O. BOX 1409
 PRETORIA
 0001

DRAWING APPROVED BY EXECUTIVE DIRECTOR
 Ms. L. V. Kgakakhe-Pitso

TYPICAL STANDARD DETAILS

DESCRIPTION OF PROJECT
ROAD AND SURFACE DRAINAGE DETAILS FOR LOW-COST DEVELOPMENT DRAINAGE STRUCTURES

ROADS AND STORMWATER For Internal Approval	
DIRECTOR: INFRASTRUCTURE PROVISION	SIGNATURE DATE
DIRECTOR: INFRASTRUCTURE CONSTRUCTION (PROJECT) MANAGEMENT	SIGNATURE DATE
DIRECTOR: INFRASTRUCTURE ASSET MANAGEMENT	SIGNATURE DATE
DIRECTOR: TRANSPORT INFRASTRUCTURE PLANNING	SIGNATURE DATE
DIRECTOR: INTELLIGENT TRANSPORT SYSTEM AND TRAFFIC ENGINEERING	SIGNATURE DATE
DIRECTOR: INFRASTRUCTURE MAINTENANCE MANAGEMENT (IMM)	SIGNATURE DATE

CONTRACT No.:	PROJECT No.:
DATE: MAY 2013	SCALE: AS SHOWN
DRAWING NO: STD017	SHEET NO: 3 OF 4
SCALE: 1:1000	REVISION