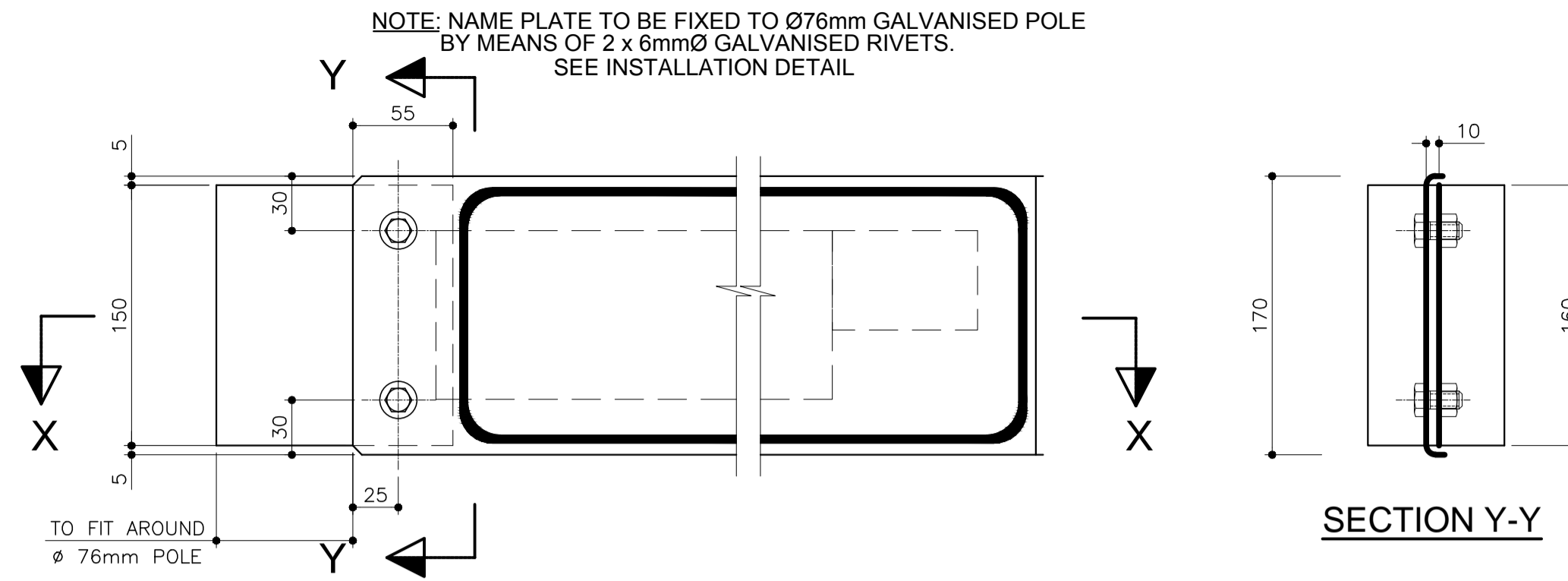
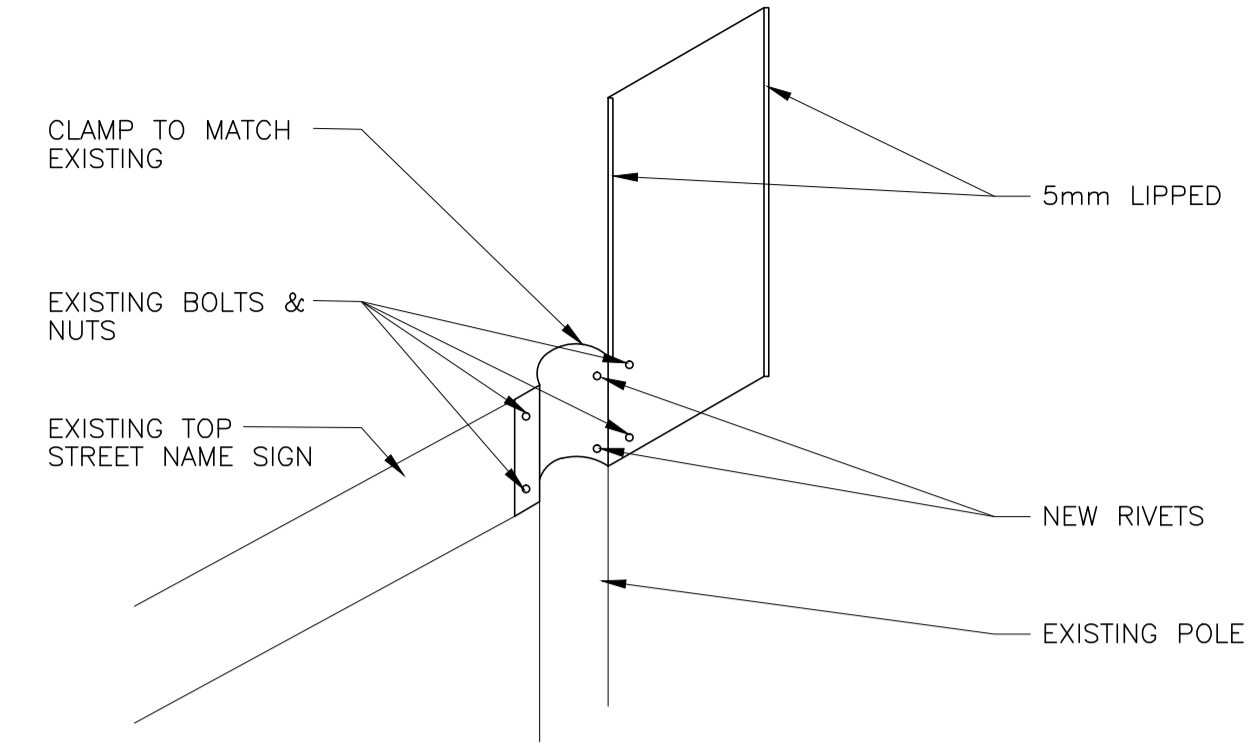


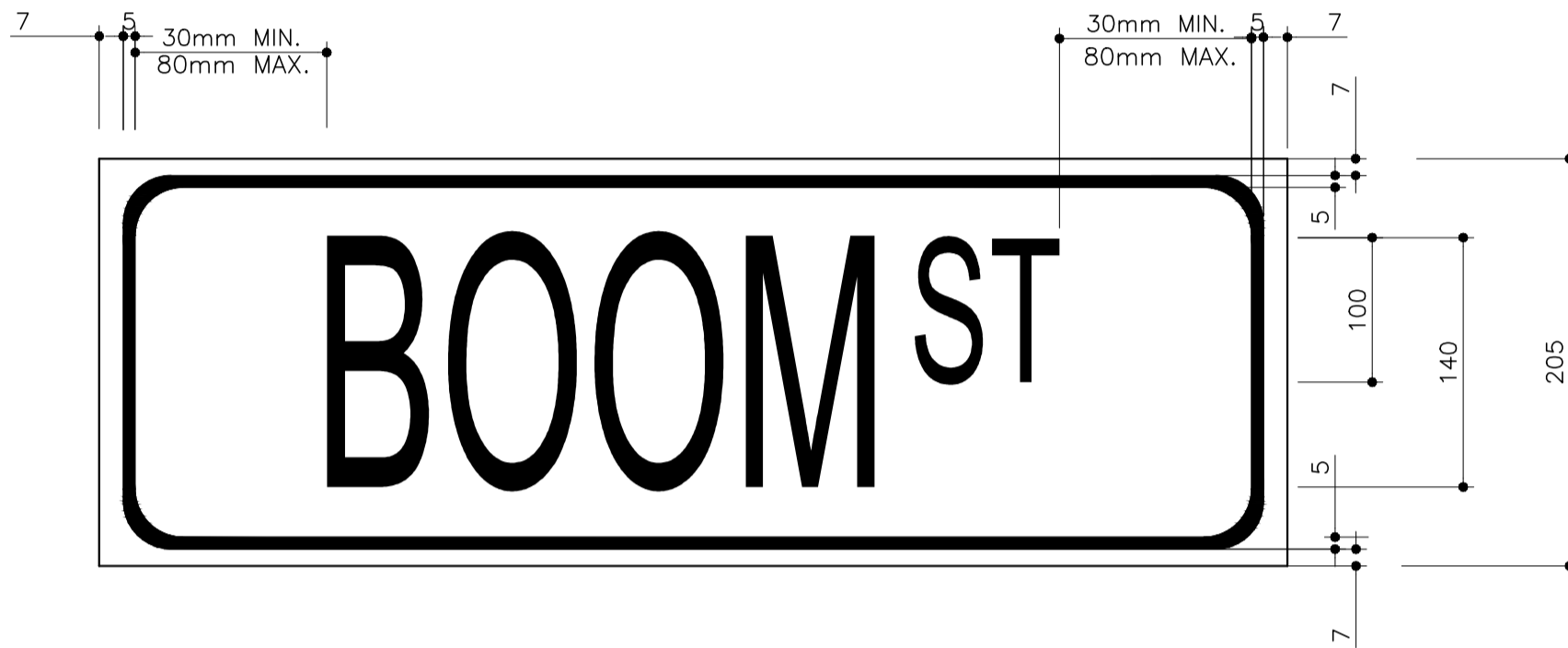
TYPICAL LAYOUT OF TYPE 1 STREET NAME LETTERING



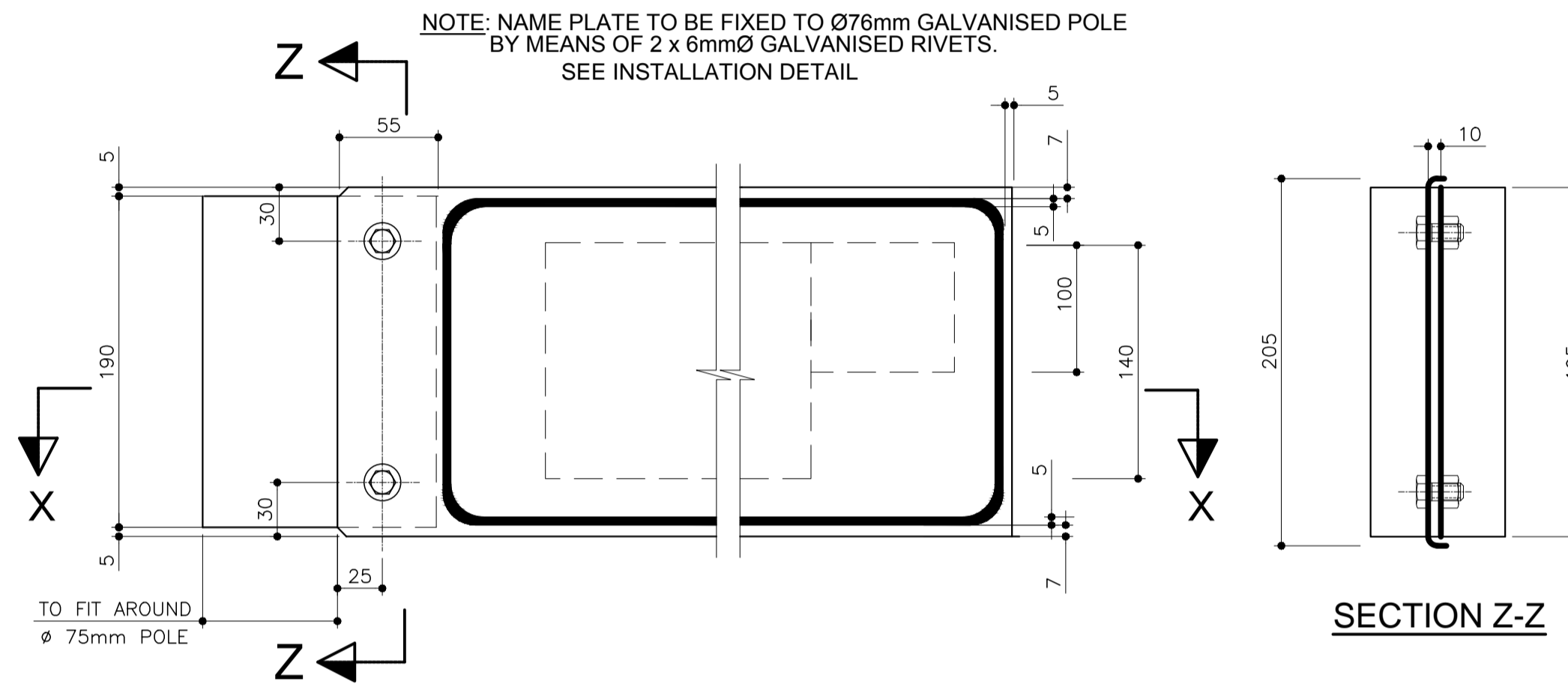
TYPICAL FRONT ELEVATION OF TYPE 1 BACKING PLATE DETAIL



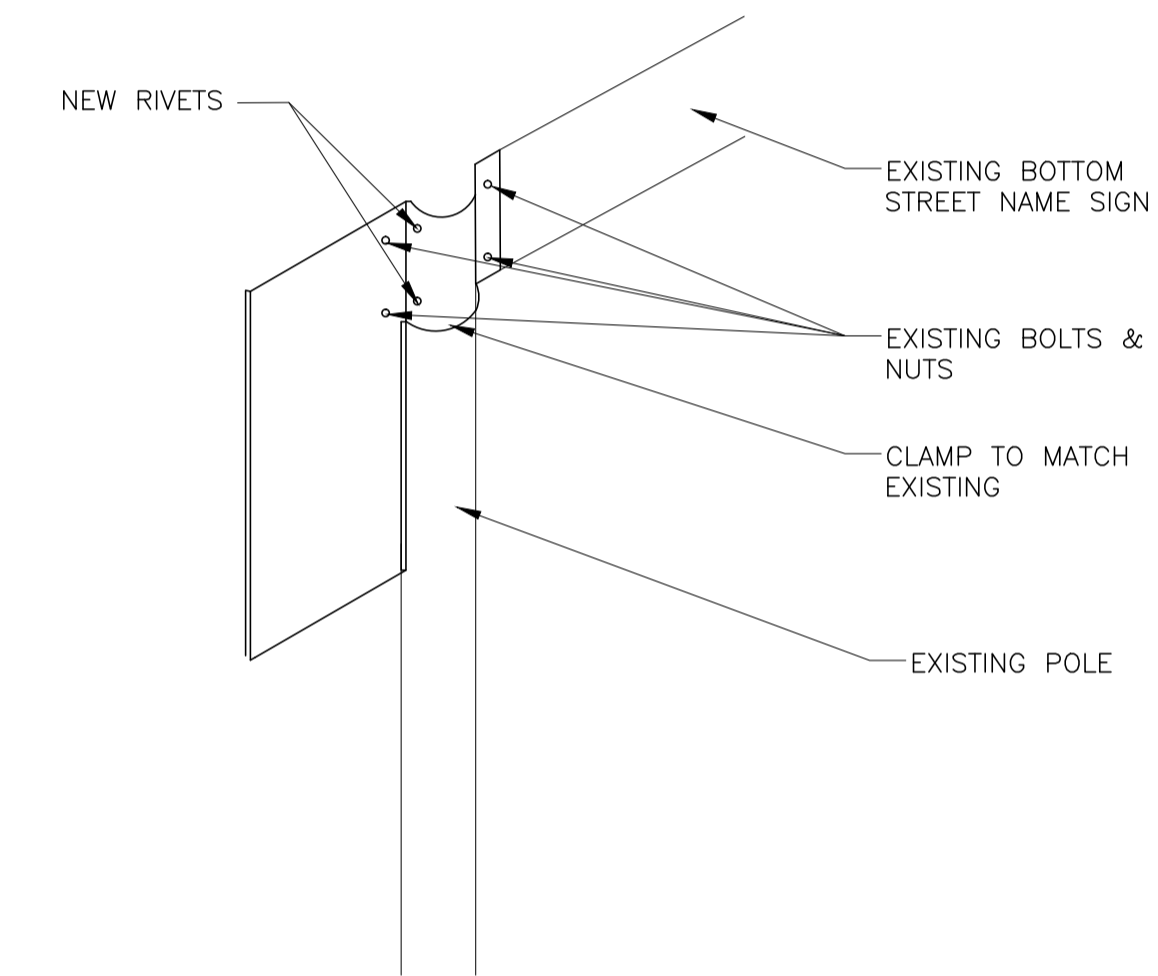
NODE ID SIGN FIXED TO TOP STREET NAME SIGN



TYPICAL LAYOUT OF TYPE 2 STREET NAME LETTERING (> 60km/h)



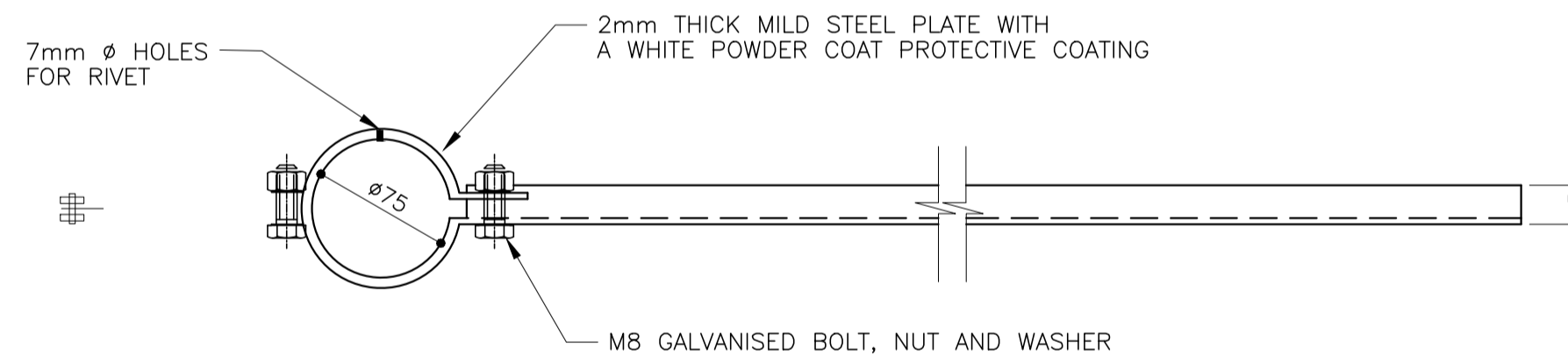
TYPICAL FRONT ELEVATION OF TYPE 2 AND 3 BACKING PLATE DETAIL



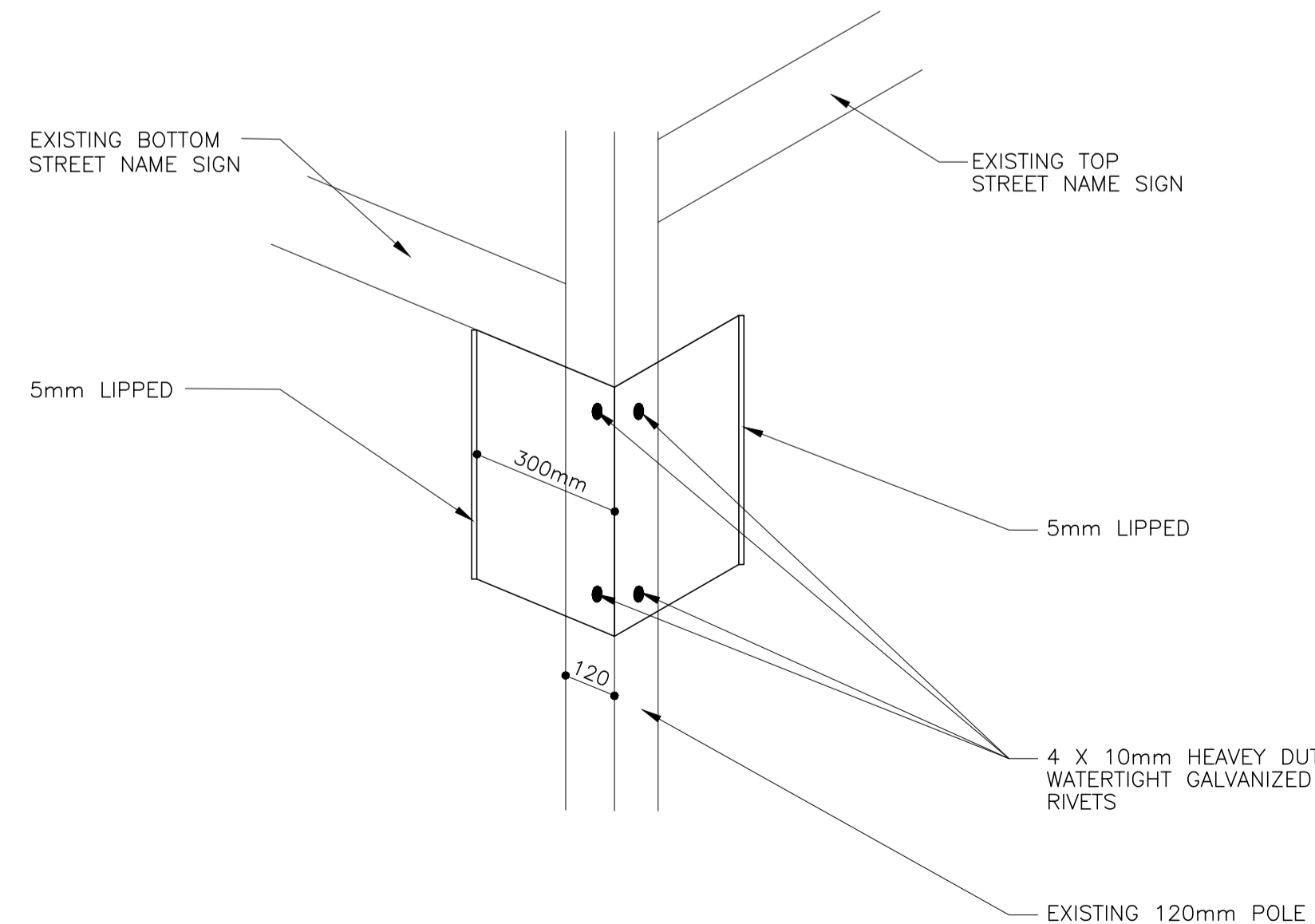
NODE ID SIGN FIXED TO BOTTOM STREET NAME SIGN



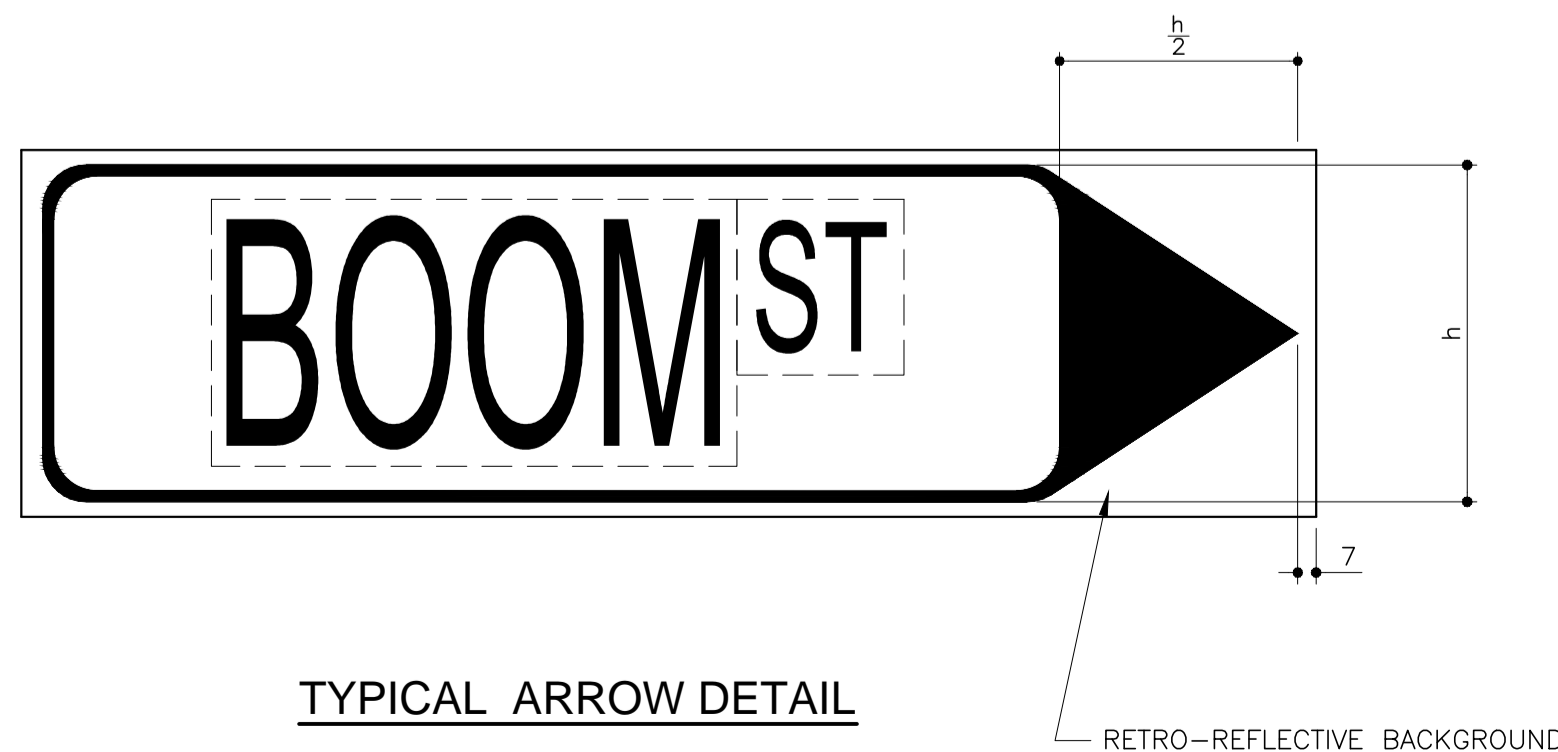
TYPICAL LAYOUT OF TYPE 3 STREET NAME LETTERING (Historical / Property numbering)



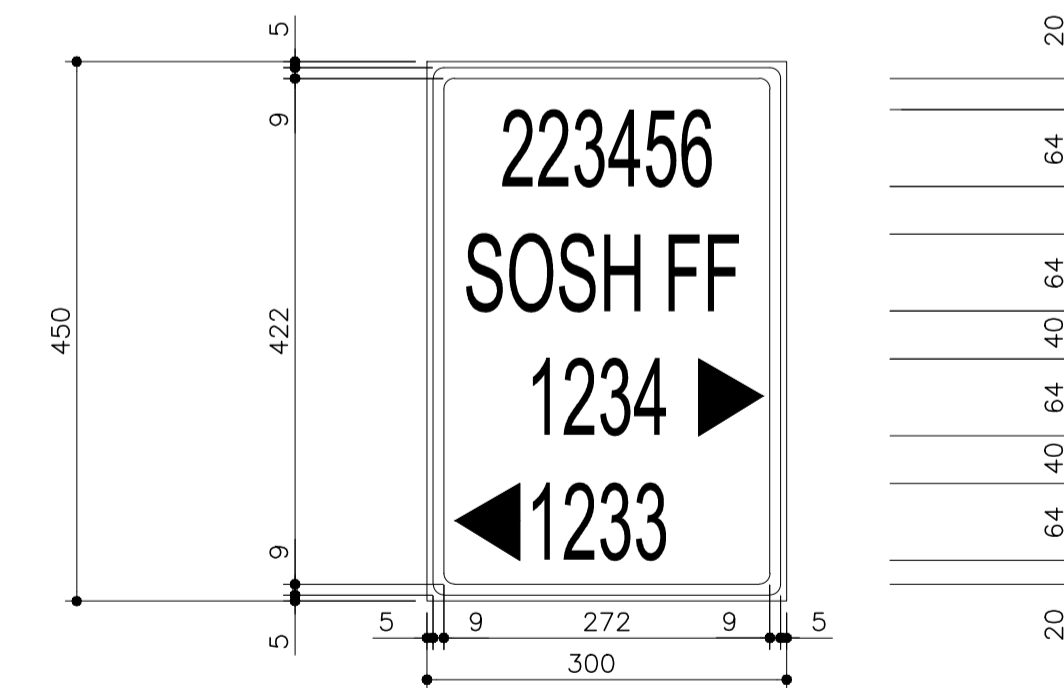
SECTION X-X (TYPE 1, 2 AND 3 BACKING PLATE DETAIL)



NODE ID SIGN FIXTURE TO "LUMINESCENT SIGN"



TYPICAL ARROW DETAIL



TYPICAL NODE ID SIGN LAYOUT

ROADS AND STORMWATER For Internal Approval	
DIRECTOR: INFRASTRUCTURE PROVISION	SIGNATURE: _____ DATE: _____
DIRECTOR: INFRASTRUCTURE CONSTRUCTION (PROJECT) MANAGEMENT	SIGNATURE: _____ DATE: _____
DIRECTOR: INFRASTRUCTURE ASSET MANAGEMENT	SIGNATURE: _____ DATE: _____
DIRECTOR: TRANSPORT INFRASTRUCTURE PLANNING	SIGNATURE: _____ DATE: _____
DIRECTOR: INTELLIGENT TRANSPORT SYSTEMS AND TRAFFIC ENGINEERING	SIGNATURE: _____ DATE: _____
DIRECTOR: INFRASTRUCTURE MAINTENANCE MANAGEMENT (IMM)	SIGNATURE: _____ DATE: _____

NOTES AND SPECIFICATIONS

- STREET NAME SIGN POLE**
- THE POLE SHALL BE OF A ROUND SECTION OF 2mm WALL THICKNESS.
 - EACH POLE IS TO BE BLANKED-OFF AT THE TOP BY MEANS OF A MILD STEEL PLATE WITH THE SAME FORM AS THE ROUND SECTION AND AT LEAST 1.5mm THICK, WELDED TO THE TOP. THE WELDING JOINT MUST BE WATERTIGHT AND SMOOTHED OFF AFTER WELDING.
 - A BASE PLATE OF 3mm THICK MILD STEEL AND 200mm SQUARE IS TO BE WELDED TO THE THE BASE OF EACH POST BY MEANS OF 4 EVENLY SPACED WELDS, EACH NOT LESS THAN 20mm LONG.
 - ALSO REFER TO SECTION 612 OF THE STANDARD SPECIFICATIONS FOR MUNICIPAL CIVIL ENGINEERING WORKS, 3rd EDITION, 2005.

AMENDMENTS				
NR.	DATE	APPROVED	DESCRIPTION	PAR.

DESIGNED J. CRONJE	DRAWN S. AUDIE
DESIGN CHECKED BY S. NAIDOO	INFRASTRUCTURE TECHNICAL INFORMATION MANAGEMENT D.J. CHALMERS

PROJECT STATUS			
<input type="radio"/> CONCEPT DRAWING	<input type="radio"/> TENDER DRAWING	<input type="radio"/> APPROVED FOR CONSTRUCTION DRAWING	<input type="radio"/> AS BUILT DRAWING

PROJECT ENGINEER (CONSULTANT):	INITIALS AND SURNAME: _____ SIGNATURE AND P. No.: _____ DATE: _____
INSPECTOR OF WORKS (CITY OF TSHWANE):	INITIALS AND SURNAME: _____ SIGNATURE AND P. No.: _____ DATE: _____

CONSULTANT DETAIL

CITY OF TSHWANE ROADS AND TRANSPORT DEPARTMENT Mr P. Lelonyane STRATEGIC EXECUTIVE DIRECTOR P.O. BOX 1409 PRETORIA 0001	Ms. L. V. Kegakwe-Piki EXECUTIVE DIRECTOR P.O. BOX 1409 PRETORIA 0001
---	---

DRAGON APPROVED BY EXECUTIVE DIRECTOR Ms. L. V. Kegakwe-Piki

LOCATION OF PROJECT:	PROJECT No.:
----------------------	--------------

TYPICAL STANDARD DETAILS	
--------------------------	--

SIGN BOARDS	
-------------	--

STREET NAME SIGNS	
-------------------	--

CONTRACT No.:	PROJECT No.:
---------------	--------------

DATE: MAY 2013	SCALE: AS SHOWN	ORIGINAL PAPER SIZE: A1
----------------	-----------------	-------------------------

DRAWING NO: STD018	SHEET NO: 1 OF 3	REVISION
--------------------	------------------	----------