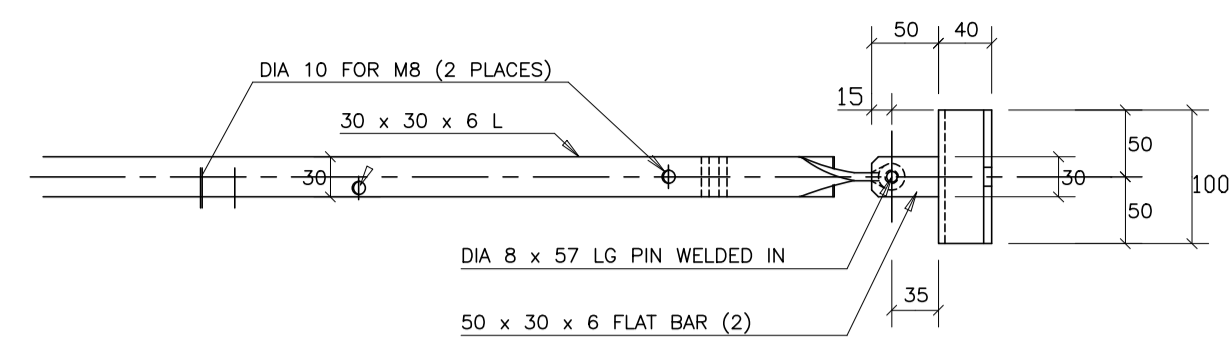


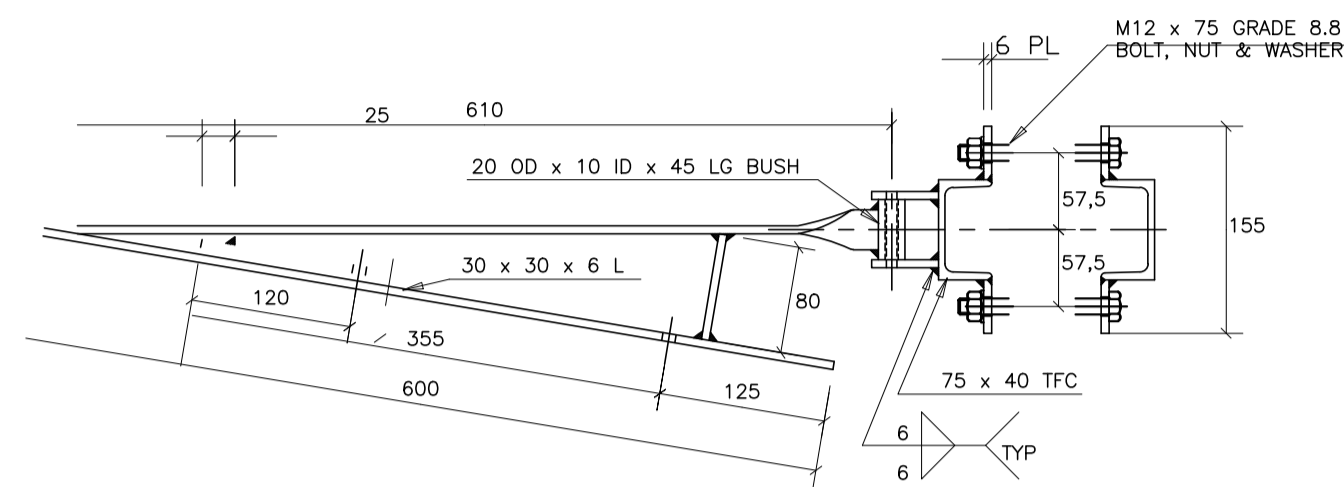
SECTION ON C

DETAIL 4A: STANDARD SIGNAL HEAD COMPONENTS

ITEM	DESCRIPTION	QTY
1	CAST ALUMINIUM CHASSIS	1
2	PARABOLIC REFLECTOR	1
3	TEXTILE SEAL	1
4	RUBBER SEAL	1
5	COLOURED LENS	1
6	VISOR	1
7	INCANDESCENT LAMP	1

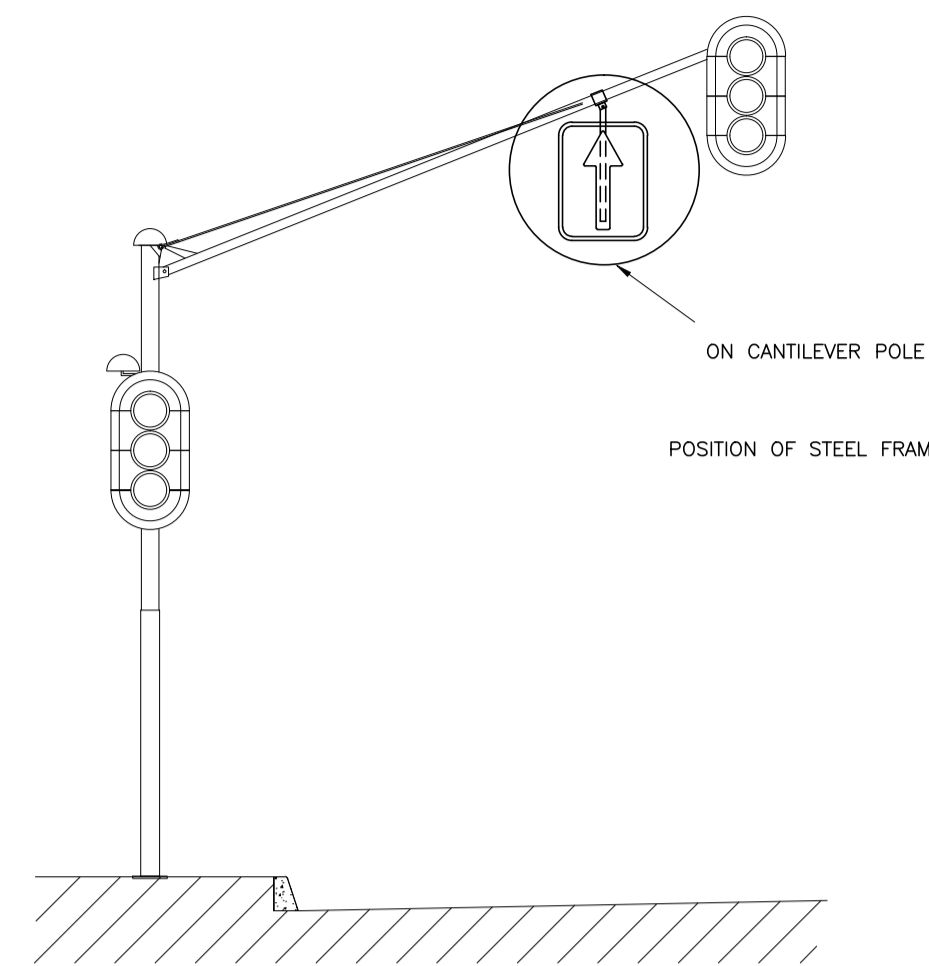


END ELEVATION

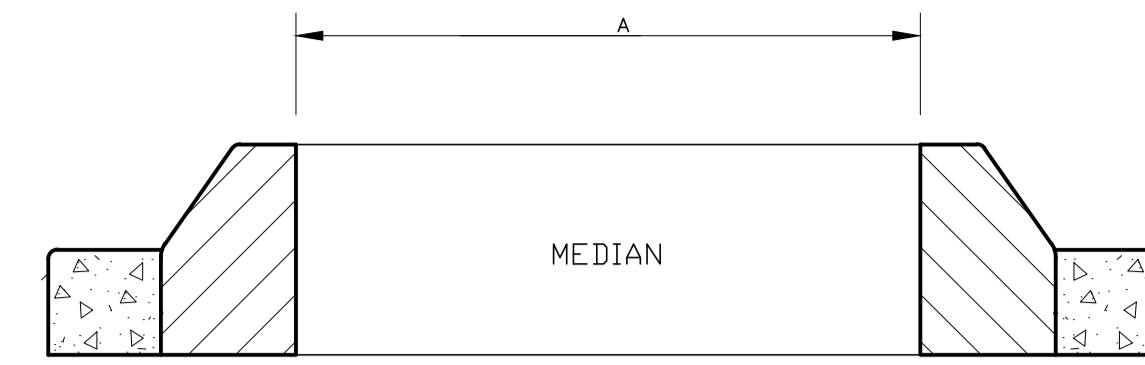


SIDE ELEVATION

DETAIL 4C: STEEL FRAME FOR FIXING ROAD SIGNS TO CANTILEVER POLES
DETAILS BASED ON FRAME PROVIDED BY CTMM ELECTRICAL DEPARTMENT



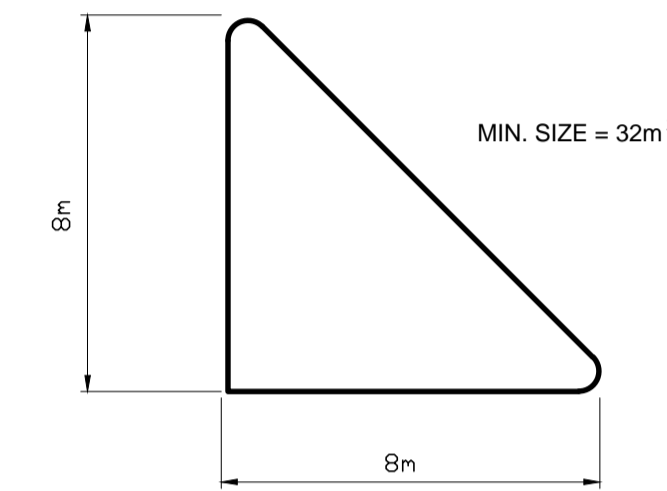
MOUNTING OF STEEL FRAME ON CANTILEVER POLE



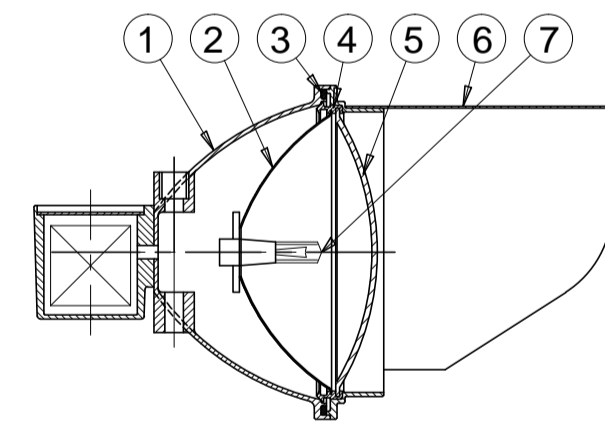
MIN INTERNAL MEASUREMENT BETWEEN KERBS

ASPECT	A MIN.
3 ASPECT SIGNAL	1,7m
5 ASPECT SIGNAL	2,0m
2 x 3 ASPECT PLUS SIGNS	2,5m

TABLE: A MIN. DISTANCE BETWEEN KERBS



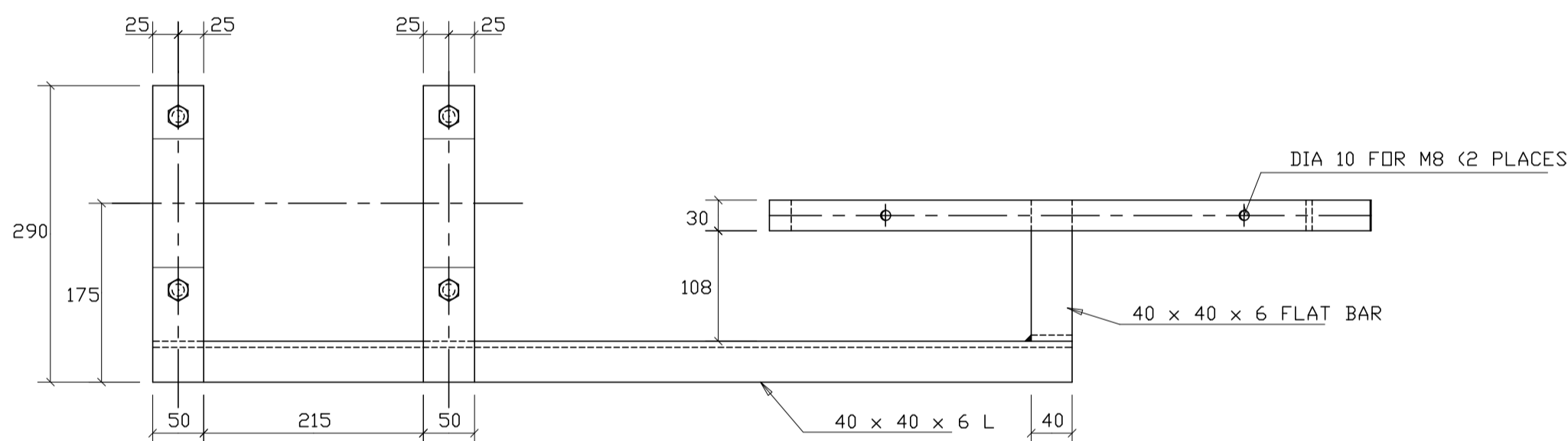
MIN SIZE OF TRAFFIC ISLAND



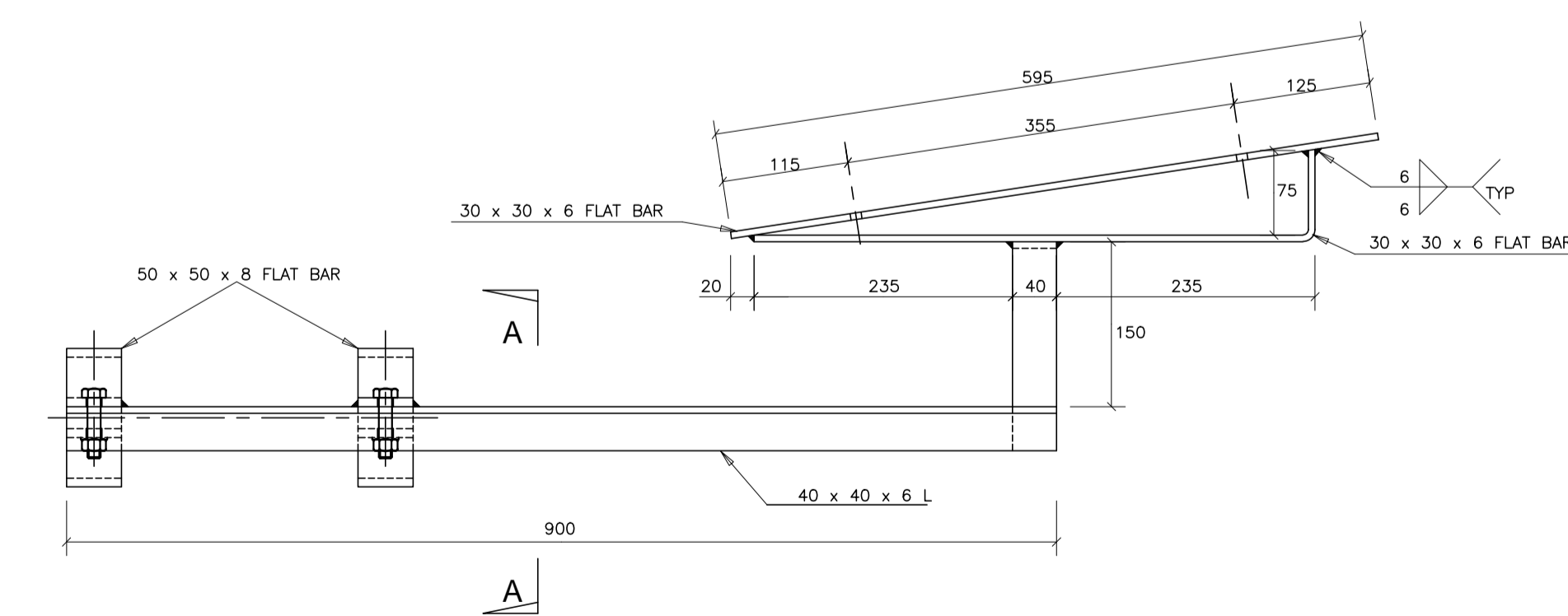
SECTION ON C

DETAIL 4B: HALOGEN SIGNAL HEAD COMPONENTS

ITEM	DESCRIPTION	QTY
1	CAST ALUMINIUM CHASSIS	1
2	PARABOLIC REFLECTOR	1
3	TEXTILE SEAL	1
4	RUBBER SEAL	1
5	COLOURED LENS	1
6	VISOR	1
7	HALOGEN LAMP	1

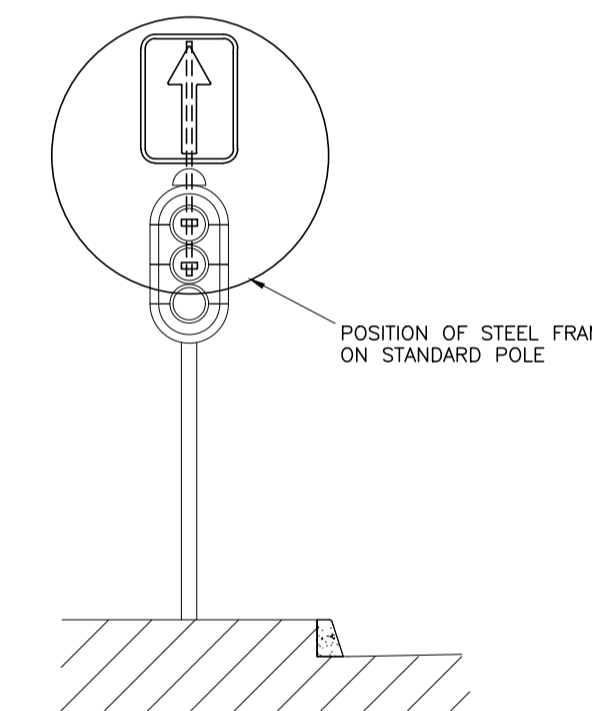


SIDE ELEVATION

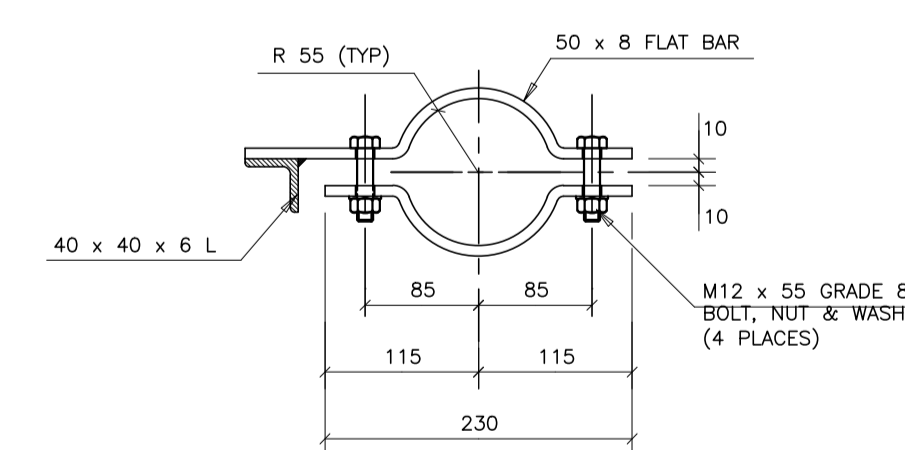


END ELEVATION

DETAIL 4D: STEEL FRAME FOR FIXING ROAD SIGNS ON TOP OF STANDARD POLES
DETAILS BASED ON FRAME PROVIDED BY CTMM ELECTRICAL DEPARTMENT



MOUNTING OF STEEL FRAME ON STANDARD POLE



SECTION A-A

AMENDMENTS				
NR.	DATE	APPROVED	DESCRIPTION	PAR.

DESIGNED H. STRACHAN	DRAWN S. AUDIE
DESIGN CHECKED BY P. A. ODENDAAL Pr.Eng.	INFRASTRUCTURE TECHNICAL INFORMATION MANAGEMENT D.J. CHALMERS

PROJECT STATUS			
<input type="radio"/> CONCEPT DRAWING	<input type="radio"/> TENDER DRAWING	<input type="radio"/> APPROVED FOR CONSTRUCTION DRAWING	<input type="radio"/> AS BUILT DRAWING

PROJECT ENGINEER (CONSULTANT):	INITIALS AND SURNAME	SIGNATURE AND Pr. No.	DATE
INSPECTOR OF WORKS (CITY OF TSHWANE):	INITIALS AND SURNAME	SIGNATURE AND Pr. No.	DATE

CONSULTANT DETAIL

CITY OF TSHWANE
ROADS AND TRANSPORT DEPARTMENT
Mr P. Labodwana
STRATEGIC EXECUTIVE DIRECTOR
P.O. BOX 1409
PRETORIA
0001

Ms. L. V. Kegakwe-Phu
EXECUTIVE DIRECTOR
P.O. BOX 1409
PRETORIA
0001

DRAWING APPROVED BY EXECUTIVE DIRECTOR
Ms. L. V. Kegakwe-Phu

TYPICAL STANDARD DETAILS

TRAFFIC SIGNALS
SIGNAL HEAD SECTIONS AND SPECIAL ROAD SIGN FIXTURES

ROADS AND STORMWATER For Internal Approval	
DIRECTOR: INFRASTRUCTURE PROVISION	SIGNATURE _____ DATE _____
DIRECTOR: INFRASTRUCTURE CONSTRUCTION (PROJECT) MANAGEMENT	SIGNATURE _____ DATE _____
DIRECTOR: INFRASTRUCTURE ASSET MANAGEMENT	SIGNATURE _____ DATE _____
DIRECTOR: TRANSPORT INFRASTRUCTURE PLANNING	SIGNATURE _____ DATE _____
DIRECTOR: INTELLIGENT TRANSPORT SYSTEMS AND TRAFFIC ENGINEERING	SIGNATURE _____ DATE _____
DIRECTOR: INFRASTRUCTURE MAINTENANCE MANAGEMENT (IMM)	SIGNATURE _____ DATE _____

CONTRACT No.:	PROJECT No.:
DATE: MAY 2013	SCALE: AS SHOWN
DRAWING NO: STD019	SHEET NO: 3 OF 4
ORIGINAL PAPER SIZE: A1	REVISION